

Door Closer FAB EV300 serie

ASSA ABLOY

The global leader in door opening solutions

Dimensions:

- 283x62x5,5 mm
- Mounting holes: 45x50 mm

Functions:

- For fire resistant doors
- EN2 – EN5
- Closing speed
- Latching speed
- Non-handed
- Adjustable BC

For Doors:

- up to 1400 mm
- 20-120 kg

Installation:

- Standard arm
- Top Jamb Installation
- Optional parallel installation

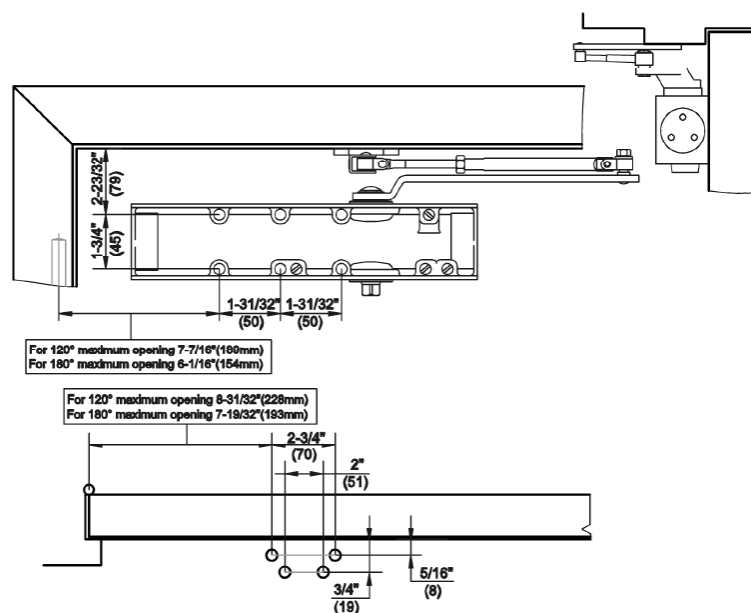
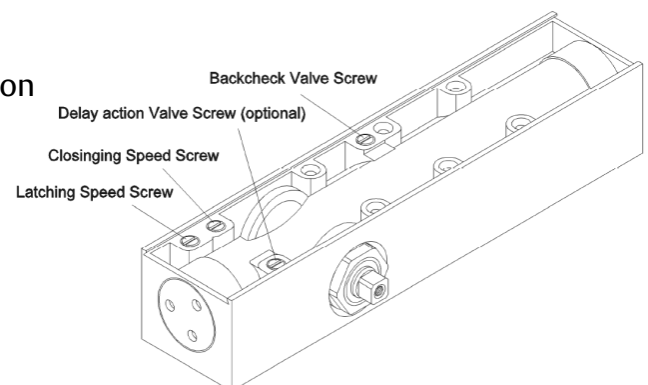
Colors:

- Aluminum, bronze, dark bronze, gold, white

Certificates:

- EN 1154
- EN 1634

Parallel arm installation:



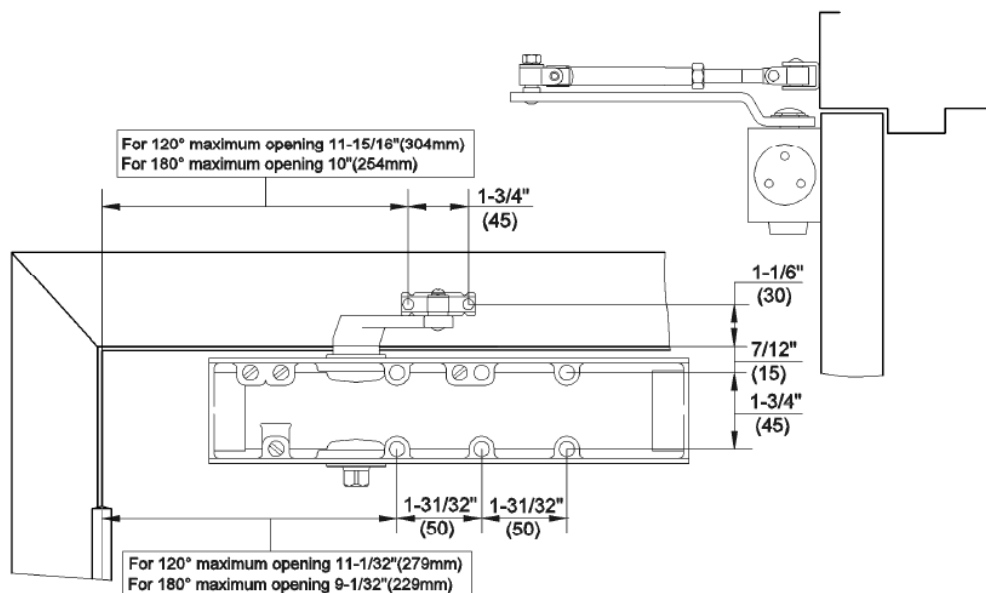
Right hand door shown □ same dimensions apply to left hand door

Door Closer FAB EV300 serie

ASSA ABLOY

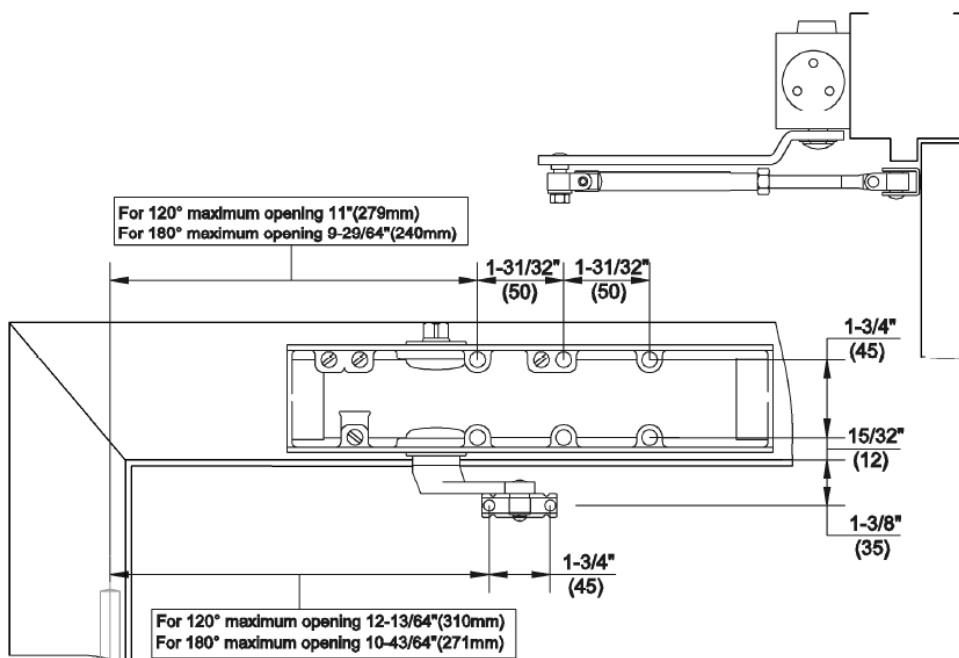
The global leader in door opening solutions

Regular arm installation:



Right hand door shown □ same dimensions apply to left hand door

Top Jamb installation:



Right hand door shown □ same dimensions apply to left hand door

ASSA ABLOY Baltic AS
Valdeku 132, Tallinn
ESTONIA

Tel. +372 655 9101
Fax +372 655 9100
www.assaabloy.ee
info@assaabloy.ee