

Espagnolette

Fix 550

Used on inside of cupboard doors and hatches of wood or steel.

Features

Three-point closing with one single turn.
Right and left is decided by the two stop pins, which are fixed diagonally with the cover screws.
The travel is 15 mm for each rod and 16 mm for the side bolt.

Construction

- Bottom plate with rower, side bolt, stop pin, lock linkage and cover.
- Locking rods 4 x 8 mm with chamfered end.
- Rod guides. (2 pcs Fix 4068 included)

Material

Rower and stop pin of zamak. Lock linkage Fix 4070 of brass. (Only used for lockable espagnolette with pushbutton cylinder.)
Rod guide Fix 4068 of white acetal plastic. (On request, steel rod guide, Fix 4389, can be delivered.) Other parts of galvanized steel.

Standard lengths

Total espagnolette length: 1000, 1500, 2000, 2500 mm.
Measurements relate to open position (rods retracted into lock housing).
Handle height: centre.

Accessories

Receiver, page H 162.
Steel rod shackle, Fix 4389, page H 162.

Handle Fix 55, page H 162, or other alternative, catalogue section G.
Pushbutton cylinder Fix 2940, page H 165. Handle Fix 423, page H 166.
Cylinder ring Fix 4081, page H 165.
Security handle, page H 166.

When ordering, please state:

For standard espagnolettes:

- Total espagnolette length.
- Receiver.
- Handle.
- If steel rod guide, Fix 4389, is desired.
- Other accessories.

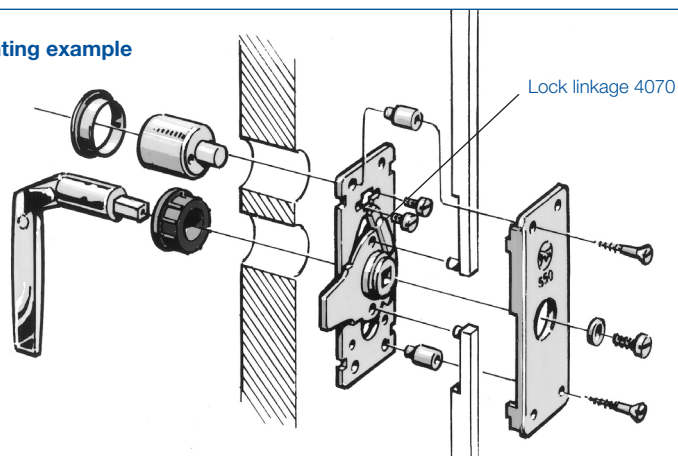
For made-to-measure espagnolettes:

- Total espagnolette length (mounted and in open position).
- Handle height (from bottom edge rod to centre handle rower).
- Receiver.
- Handle.
- If steel rod guide, Fix 4389, is desired.
- Other accessories.

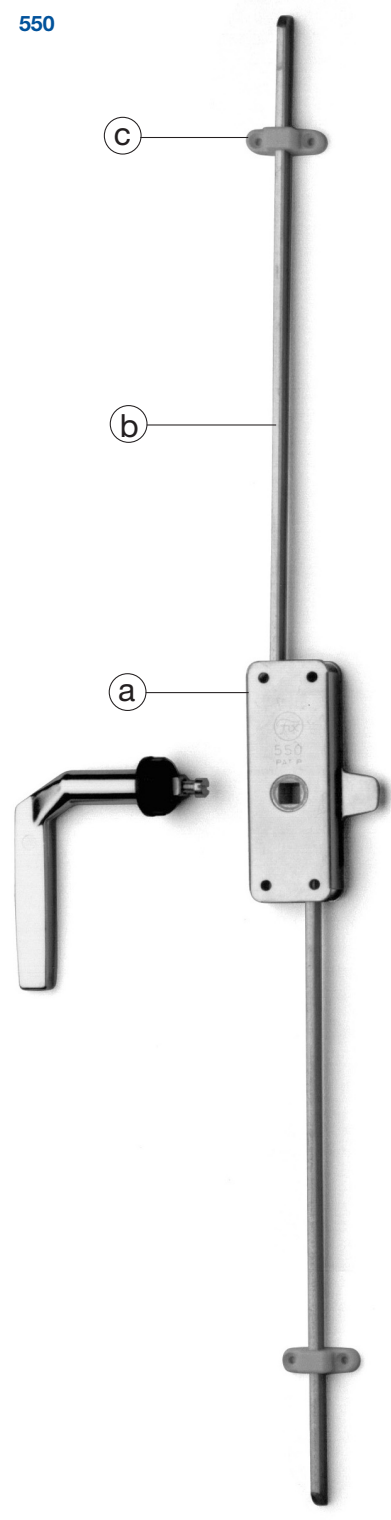
Screw

When mounting on wooden door, use:
for lock housing
no. 8 (4.0 mm) TKX / DIN 7995.
for rod guide Fix 4068
no. 5 (3.0 mm) TKFX / DIN 7995.
for receiver
no. 5 (3.0 mm) TFX / DIN 7997.

Mounting example



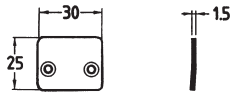
550



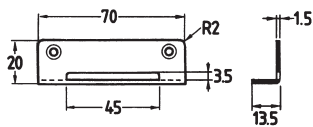
Accessories for espagnolette Fix 550

Receiver

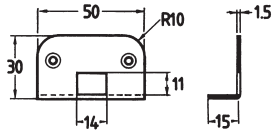
4082



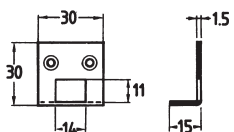
4083



4652



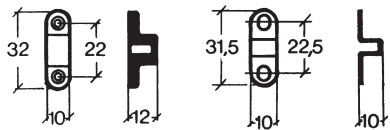
3230



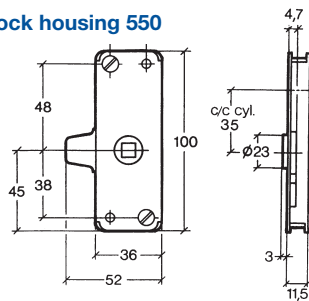
Rod guide

4068

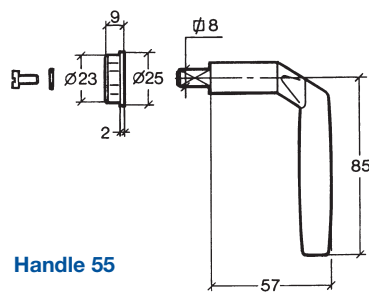
4389



Lock housing 550



Handle 55



Handle Fix 55

Used for espagnolette Fix 550 and 590. Fits door thickness 12–23 mm.

Installation

Screw mounted, with the bushing on, from the inside of the door, with screw and plate through the lock housing row, into the threaded spindle. The

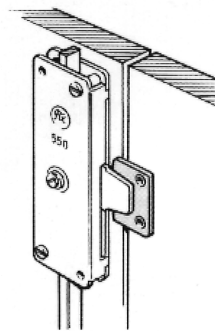
bushing is then pushed into place in the hole from the outside. Gives secure mounting of the handle.

Material

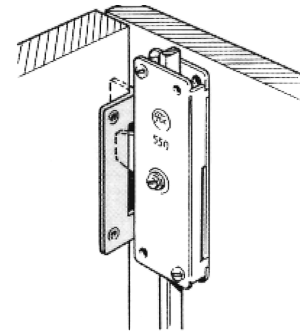
Handle of chrome plated zamak. Bushing of black acetal plastic. Plate and screw of galvanized steel.

Receiver use

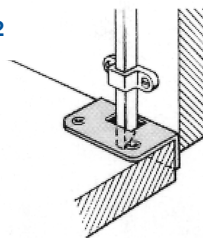
4082



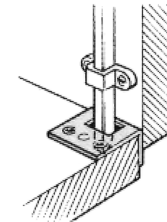
4083



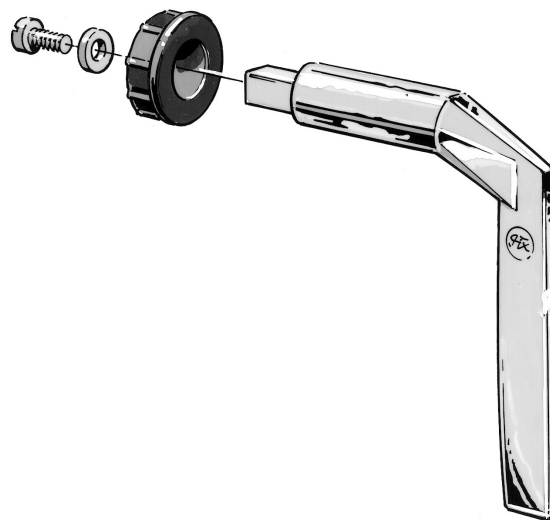
4652



3230



55



Espagnolette

Fix 590

Used on inside of cupboard doors and hatches of wood or steel.

Features

Three-point closing with one single turn. Fits both right and left by rotating the stop linkage and side bolt.

Travel is 16 mm for each lock rod and the side bolt.

When using spring-operated end bolt:

When closing, the springs push the bolts into the receivers without the handle being turned. The bolt can be rotated with the chamfer in the desired direction. Fine adjustment of the espagnolette length is done by rotating the bolt's pulling rod. Side bolt is not mounted.

Construction

- Lock housing with rower, linkages, stop linkage and bottom plate.
- Locking rods 8 x 9 mm.
- Rod guides. (2 pcs Fix 3952 included.)

Material

Rower of zinc-aluminium alloy.

Rod guide Fix 3952 of white acetal plastic. (On request, steel rod guide, Fix 681, can be delivered.)

Other parts of galvanized steel.

Standard lengths

Total espagnolette length: 1000, 1500, 2000, 2500 mm.

Measurements relate to open position (rods retracted into lock housing).

Handle height: centre.

Accessories

Receiver, page H 164.

Inside handle Fix 994.

Outside handle, page H 166.

Cylinder ring Fix 4081, page H 165.

Rower coupling Fix 4973, page H 164, required for mounting of inside handle Fix 994.

Spring-operated end bolt Fix 1531, page H 164.

Spacer plate Fix 3074 for lock housing and 3395 for rod guide, page H 164

(used for door thickness less than 7 mm).

Pushbutton cylinder Fix 2940, page H 165.

When ordering, please state:

For standard espagnolettes:

- Total espagnolette length.
- Receiver.
- Handle.
- If steel rod guide, Fix 681P, is desired.
- Other accessories.

For made-to-measure espagnolettes:

- Total espagnolette length (mounted and in open position).
- Handle height (from bottom edge rod to centre handle rower).
- Receiver.
- Handle.
- If steel rod guide, Fix 681P, is desired.
- Other accessories.

Screw

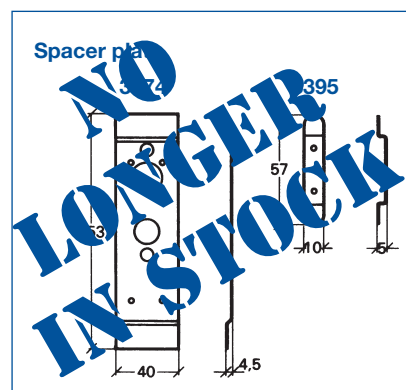
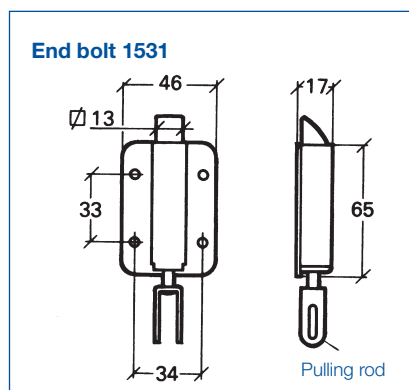
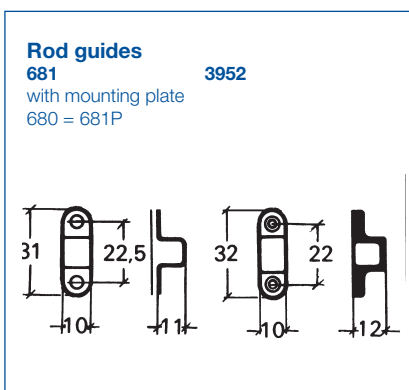
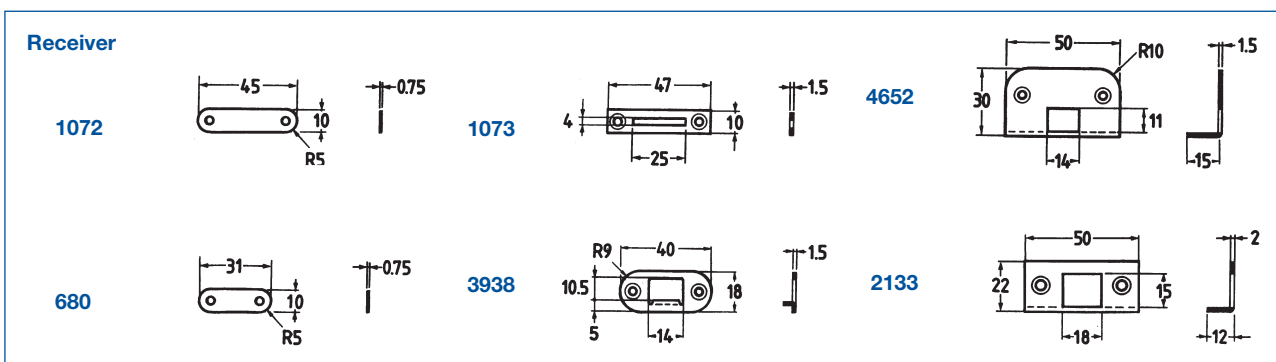
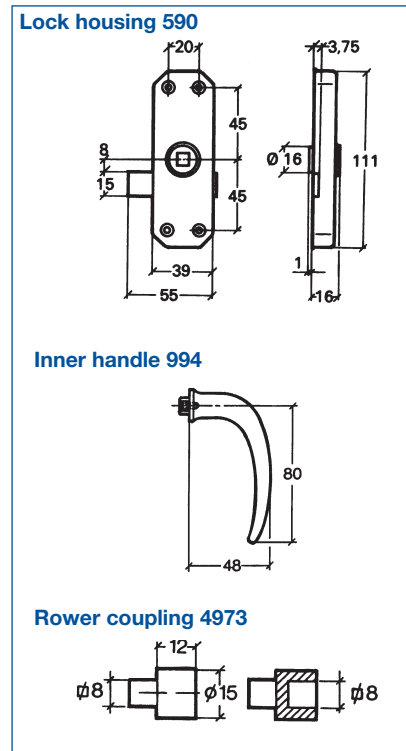
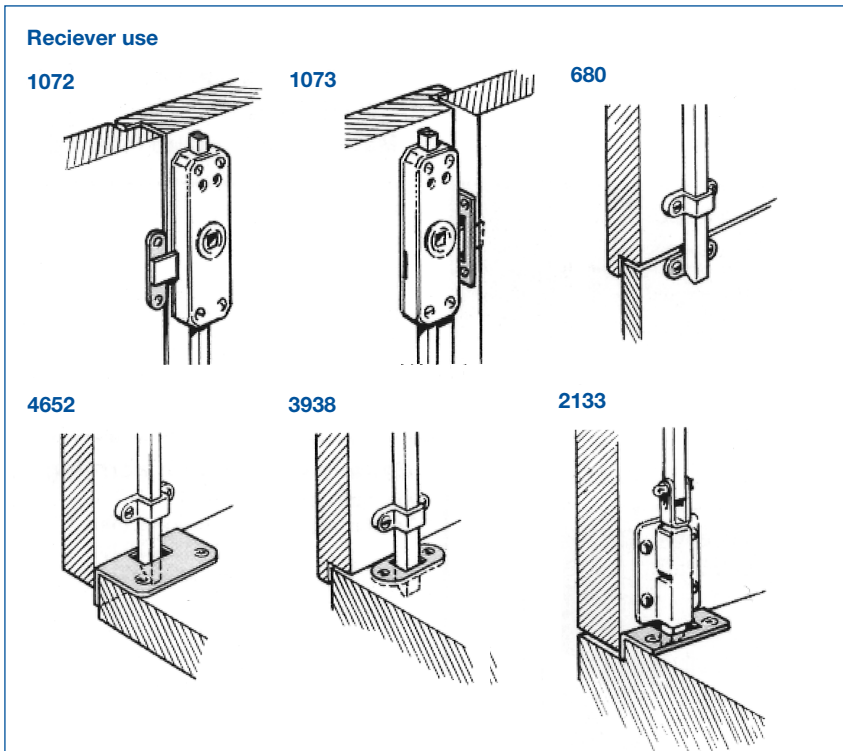
When mounting on wooden door, use:

- for lock housing no. 6 (3.5 mm) TKFX / DIN 7995.
- for rod guide Fix 3952 no. 5 (3.0 mm) TKFX / DIN 7995.
- for receiver Fix 680, 1072 no. 5 (3.0 mm) TKX / DIN 7996.
- for receiver Fix 1073, 3938, 4652 no. 5 (3.0 mm) TFX / DIN 7997.
- for receiver Fix 2098, 2133 no. 7 (3.8 mm) TFX / DIN 7997.
- for spring-operated receiver Fix 1531 no. 10 (5.0 mm) TKX / DIN 7996.

590 with accessories



Accessories for espagnolette Fix 590



Pushbutton cylinders and accessories

2940
3389
4081

Pushbutton cylinder Fix 2940

For locking of espagnolette Fix 550 and 590 (page H 161, H 163), and bolt Fix 560/13 and 575 (page J 191–J 192).

Operation

Locking is done when the espagnolette is closed and the cylinder is pushed in. The cylinder pin catches when the espagnolette lock closes. When the key is turned, the cylinder automatically springs out and opens the lock. The key can be taken out when unlocked.

Construction

- a) Lock cylinder with discs. Mounted into a casing.
In storage with lock no. 101–103.
Other lock nos. available on order.
- b) Key Fix 5524 (2 pcs. included).

Material

Cylinder of nickle plated brass.
Casing of chrome plated zamak.
Key of nickle plated steel.

Installation

The cylinder is mounted onto the bottom plate of the espagnolette lock housing using the matching screws. When mounting bolt Fix 560/13 and 575, use 4 screws M3 x 4 MFS / DIN 963.

When ordering, please state:

Locking number, alternatively keyed-alike or different locking.

Pushbutton cylinder Abloy

(Ordered from ASSA AB)
Like Fix 2940, but in master key system.

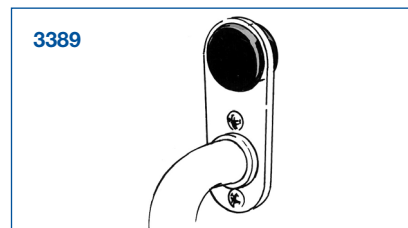
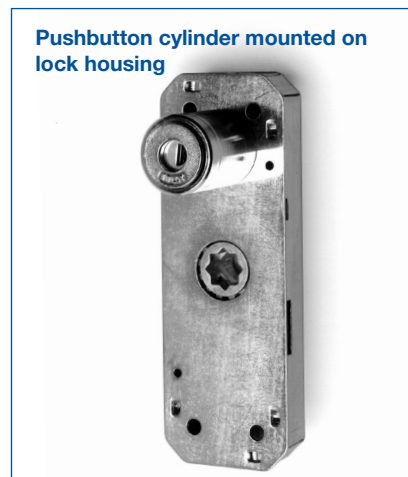
When ordering, please state:

1. Quantity of each lock.
2. New system or supplement to existing system.
3. Number of keys for each lock, and number of master keys.

Plug Fix 3389

used for handle Fix 423 when pushbutton cylinder has not yet been mounted.

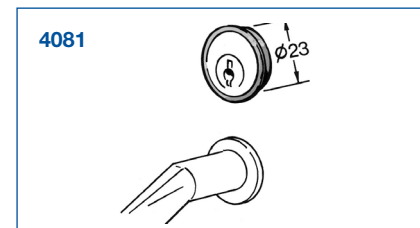
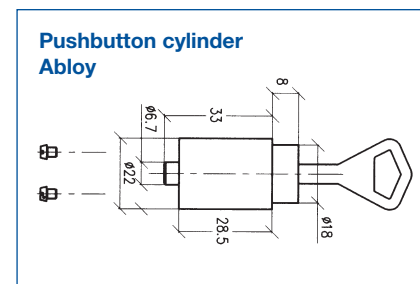
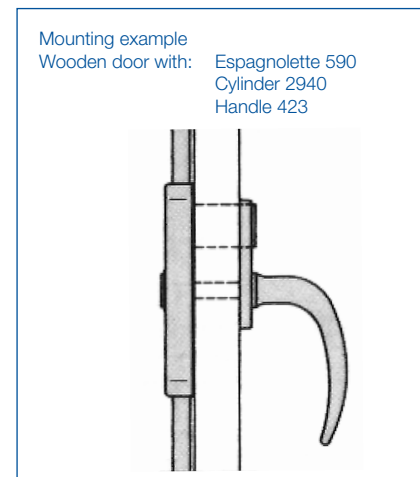
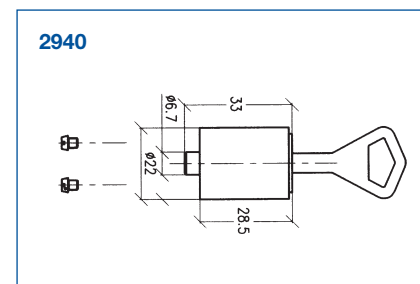
Material Polyethene, black.



Cylinder ring Fix 4081

Used for cylinder Fix 2940 or cylinder Abloy when handle Fix 55 or loose handle is used.

Material Nickle plated brass.

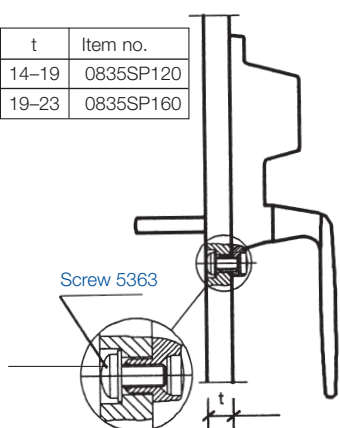


423
835S
837S
844S
876S
895S

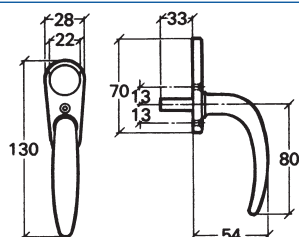
Handles

Accessories for 835S/837S mounted on cupboard door

t	Item no.
14-19	0835SP120
19-23	0835SP160



423



Handle Fix 423

For door with espagnolette Fix 550 and 590, which is locked with pushbutton cylinder Fix 2940 or pushbutton cylinder Abloy.

Material

Chrome plated zamak. Spindle of 8 mm galvanized square steel. Spindle length 33 mm.

Accessories

Plug Fix 3389, page G 165.

Screw

Use no. 6 (3.5 mm) TKFX / DIN 7995.

Security handles Fix 835S and 837S

Used for door with espagnolette, which is locked with oval cylinder of standard type.

Material, operation, features, etc., page G 145.

Security handles Fix 844S, 876S and 895S

Used for door with espagnolette, which is locked with cylinder 4484.

Material, operation, features, etc., page G 150.

423



835S/837S



844S



876S



895S



Snap lock Fix 603

Receiver 99

Used for inward-opening windows with smaller bottom-hung sash, which cannot be reached from the floor.

Construction

When the sash is closed, the bolt snaps into the receiver. The pull ring releases the bolt from the receiver and the sash can be opened.

The bolt closes automatically with a spring. The receiver can be adjusted to the desired closing operation as it has a rising connection surface.

Accessories

Receiver included.

