

Espagnolette for windows

Used for outward-opening single-light and two-light windows with mullion.
Special design for narrow profiles. Fix S1605 adapted to Euro-note.

S1605

Adapted to Euro-note.

Design

Face plate 16 x 2 mm.
Bolt rod 11 x 2.9 mm.
Backset 28 mm.
Lock depth 35 mm.
Handle height centered.
Side bolts, wedge bolt type, bolt stroke
15 mm, 2 or 3, see table below.
Can also be made-to-measure, see
page C 32.

Installation

Instructions for milling, with measure-
ments, group J.

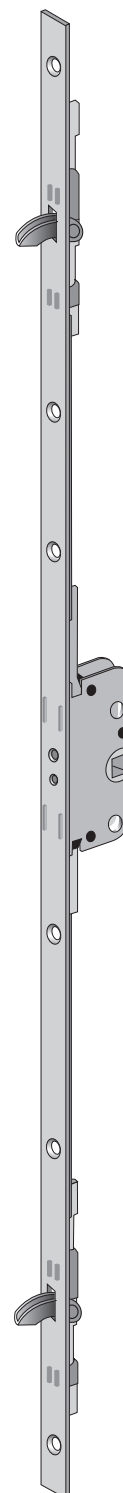
Accessories

Receivers page F 101–F 103.
Protective plate Fix 873, page C 74.
Sliding plate, page C 79.
Handle texture Fix 806, page C 75.
Handles, catalogue section G.

Lengths

Item	Espagnolette length mm	Number of bolts
S1605	390	2
	490	2
	590	2
	690	2
	790	2
	890	2
	990	2
	1090	2
	1190	2
	1290	3
	1390	3
1490	3	

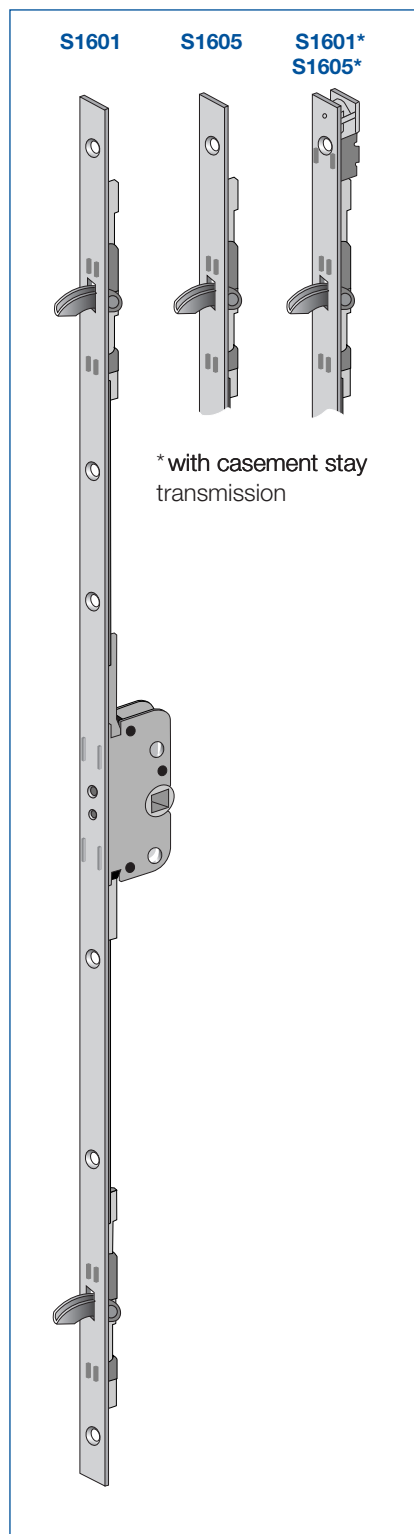
S1605



S1601 (719, 719S)
S1605 (739, 739S)

Made-to-measure espagnolette for windows

Used for outward-opening single-light and two-light windows with mullion. Specially adapted for Euro-note.



S1601

Side bolts wedge bolt type, bolt stroke 12 mm.

Alternatively with transmission for Fix casement stay, optional top, bottom or at both ends.

S1605

Side bolts wedge bolt type, bolt stroke 15 mm.

Alternatively with transmission for Fix casement stay, optional top, bottom or at both ends.

Design as for the rest for all.

Face plate 16 x 2 mm.

Backset	Lock depth
25 mm	32 mm
28 mm	35 mm

Lock housing roller 7 mm alt. 8 mm.

Handle height optional.

Limitations, see catalogue section E.

The number of side bolts is decided with regard to the height of the frame,

see catalogue section E.

Right and left are identical.

General description, catalogue section B.

Installation

Instructions for milling, with measurements, group J.

Accessories

Receivers, page F 101–F 103.

Sliding plate, page C 74.

Handle fixture Fix 806, page C 75.

Friction casement stay for Fix S1601 and S1605, page I 174.

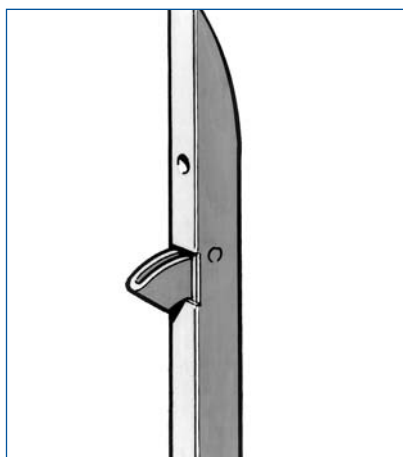
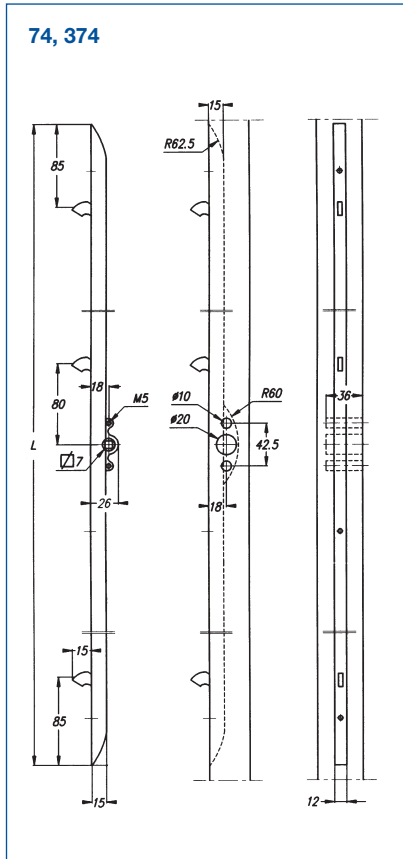
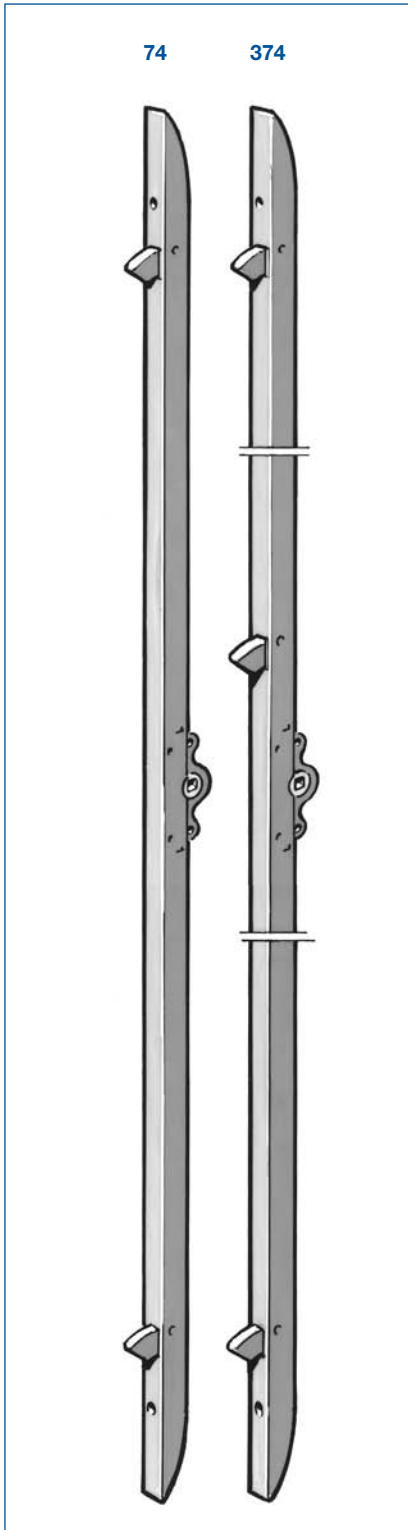
When ordering, please state:

1. Item number
2. Length
3. Handle height
4. Backset
5. Type of receiver
6. Transmission for casement stay

74
374
68
368

Espagnolette for windows

Used for inward-opening windows and airing hatches as well as two-light windows with mullion.



The adjacent espagnolettes are also available with wedge bolts, 7.5 mm diameter. See illustration above. They are then called:

Primo 68 (corresp. to Primo 74)
Primo 368 (corresp. to Primo 374)

Primo 74

Two side bolts
Length 400 mm 600 mm 800 mm 1000 mm
Handle height 200 mm 300 mm 400 mm 500 mm

Primo 374

Three side bolts
Length 1200 mm 1400 mm
Handle height 600 mm 700 mm

Design as for the rest for all:

U profile face plate 12 x 15 mm.
Backset 18 mm.
Lock depth 28 mm.
Lock housing with threaded holes (M5) for handle mounting.
Rower # 7 mm. Side bolt, wedge bolt type, 4 mm diameter, bolt stroke 15 mm.
Right and left are identical.
General description, catalogue section B.

Installation

Instructions for milling, with measurements, see illustration.

Accessories

Receivers, page F 104–F 108.
Protective plate Fix 873, page C 74.
Sliding plate, page C 74.
Handle, catalogue section G.

Made-to-measure espagnolette for windows and glazed doors

- S3101** (896, 896F)
- S3111** (996, 996F)
- S3151** (846, 846F)
- S3161** (946, 946F)
- S4101** (1096, 1096F)
- S4111** (1196, 1196F)
- S4151** (1046, 1046F)
- S4161** (1146, 1146F)
- S4157** (1042)
- S4158** (1043)
- S4159** (1044)
- S1359** (8512)

PATENT

Used for inward- and outward-opening single doors or single-light windows, and two-light windows with mullion. Lockable with cylinder. Also available with micro.

S3101 (flat bolt rod)

S3151 (standing bolt rod)

Bolt type: Wedge bolt, bolt stroke 17 mm.
Face plate 25 x 2 mm (20 x 2 mm on request).

Also available with transmission for Fix friction casement stay, optional top, bottom or at both ends.

S3111 (flat bolt rod)

S3161 (standing bolt rod)

As above but with threaded hole for cylinder screw.

S4101 (flat bolt rod)

S4151 (standing bolt rod)

Bolt type: Hook bolt, or hook bolt and wedge bolt.

Face plate 25 x 2 mm.

The hook bolt gives increased protection against forced entry.

Also available with transmission for Fix friction casement stay, optional top, bottom or at both ends.

S4111 (flat bolt rod)

S4161 (standing bolt rod)

As above but with threaded hole for cylinder screw.

Design as for the rest for all:

Backset	Lock depth
28 mm	41 mm
31 mm	44 mm
33 mm	46 mm
40 mm	53 mm

Handle height optional.

Limitations, see catalogue section E.

The number of side bolts is decided with regard to the height of the frame, see catalogue section E.

Right and left are identical.

General description, catalogue section B.

Installation

Instructions for milling, with measurements, catalogue section E.

Accessories

Receivers, page F 104–F 111.

Protective plate Fix 873, page C 74.

Sliding plate, page C 74.

Handle fixture Fix 842, page C 46.

Friction casement stay, page I 171–I 173.

Lock cylinder: Oval cylinder, standard type. Other accessories for locking, page C 70–C 71.

S4157, S4158, S4159 (spanjoflex)

Flexible security espagnolette, which is suitable for “all” applications. Lockable with cylinder. Backset:

Esp S4157 28 mm lock depth 41 mm
S4158 33 mm lock depth 46 mm
S4159 40 mm lock depth 53 mm

S1359

Coupling piece with transmission for Spanjoflex casement stay.

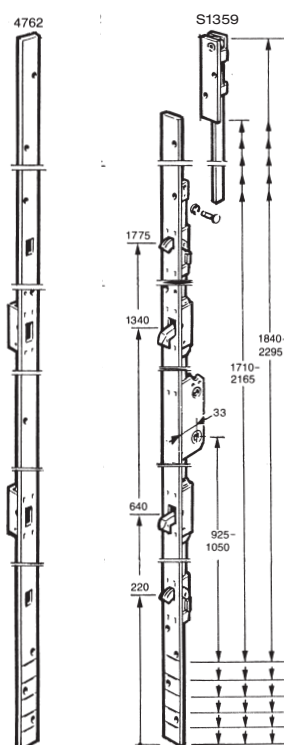
4762

Receiver plate for spanjoflex.

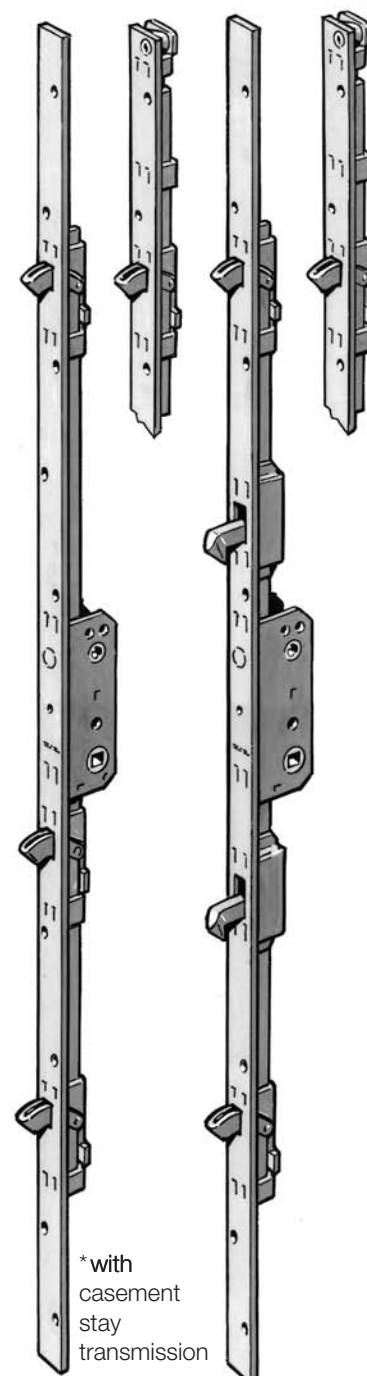
Note:

Lockable lock housings have a spacer between the lock housing lids. This prevents squeezing the lids together when mounting the cylinder.

Spanjoflex S4158



S3101	S3101*	S4101	S4101*
S3111	S3111*	S4111	S4111*
S3151	S3151*	S4151	S4151*
S3161	S3161*	S4161	S4161*



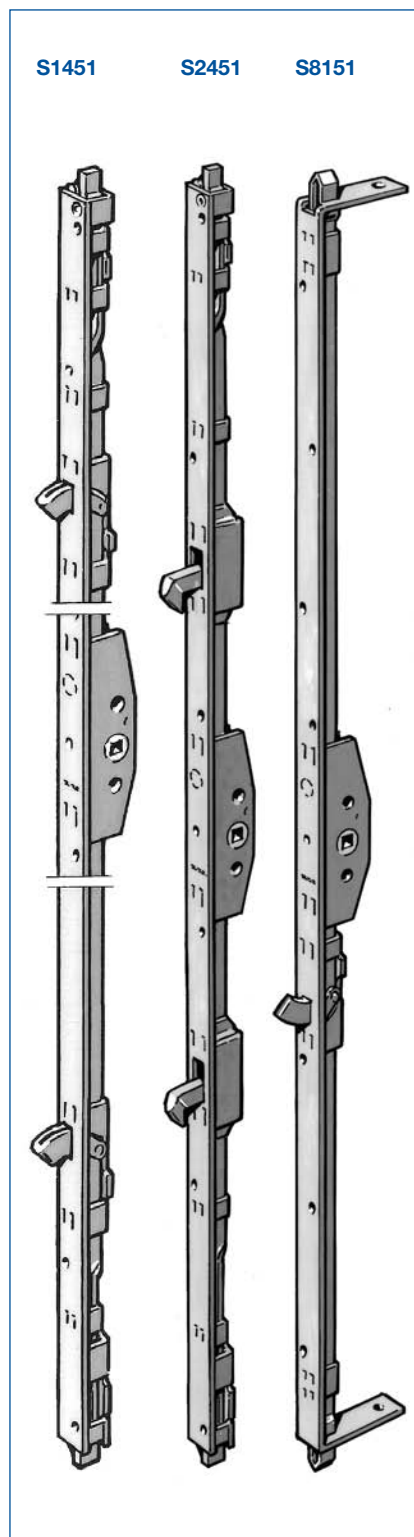
* with casement stay transmission

S1451 (860F)
S2451 (1060F)
S8151 (881)

Made-to-measure espagnolette for windows and glazed doors

PATENT

Used for inward- and outward-opening two-light windows with meeting sashes, and for double doors.



S1451

End bolt, grab bolt type.
 Side bolt, wedge bolt type, bolt stroke 17 mm.
 Face plate 25 x 2 mm.

S2451

End bolt, grab bolt type.
 Side bolt, hook bolt type, or hook bolt and wedge bolt.
 Face plate 25 x 2 mm.
 The hook bolt gives increased protection against forced entry.

Design as for the rest for both

Backset	Lock depth
18 mm	28 mm
25 mm	35 mm
28 mm	38 mm
33 mm	43 mm
40 mm	50 mm

Has transmission for Fix friction casement stay, optional top, bottom or at both ends.
 Handle height optional.
 Limitations, see catalogue section E.
 The number of side bolts is decided with regard to the height of the frame, see catalogue section E.
 Right and left are identical according to symbol.
 General description, catalogue section B.

S8151

End bolt, wedge bolt type, bolt stroke 14 mm.
 Side bolt, wedge bolt type, bolt stroke 17 mm.
 Face plate 25 x 2 mm (20 x 2 mm on request).

Design as for the rest

Backset	Lock depth
18 mm	31 mm
23 mm	36 mm
28 mm	41 mm
40	53 mm

Handle height optional.
 Limitations, see catalogue section E.

The number of side bolts is decided with regard to the height of the frame, see catalogue section E.
 Right and left are identical.
 General description, catalogue section B.

Installation

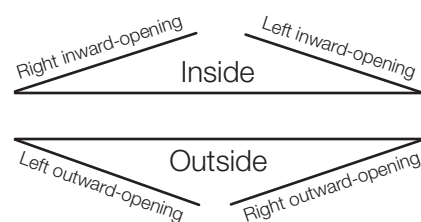
Instructions for milling, with measurements, group J.
 Fix S8151 comes with unbent plate edges.
 Bending is done when mounting into the sash.

Accessories

Receivers, page F 104–F 111.
 Protective plate Fix 873, page C 74.
 Sliding plate, page C 74.
 Handle fixture Fix 806, page C 75.
 Friction casement stay for espagnolettes Fix S1451 and S2451, page I 171–I 173.
 Face bolt, page C 72.

When ordering, please state:

1. Item number
2. Length
3. Handle height
4. Backset
5. Type of receiver
6. For Fix S1451 and S2451, right or left.



Made-to-measure espagnolette for windows and glazed doors

S3451 (849F)
S3453 (949F)
S4451 (1049F)
S4461 (1149F)

PATENT

Used for inward- and outward-opening double doors, and for two-light windows with meeting sashes. Lockable with cylinder. Also available with micro.

S3451

End bolt, grab bolt type.
 Side bolt, wedge bolt type, bolt stroke 17 mm.
 Face plate 25 x 2 mm.

S3453

As above but with threaded hole for cylinder screw.

S4451

End bolt, grab bolt type.
 Side bolt, hook bolt type, or hook bolt and wedge bolt.
 Face plate 25 x 2 mm.
 The hook bolt gives increased protection against forced entry.

S4461

As above but with threaded hole for cylinder screw.

Design as for the rest for both

Backset	Lock depth
28 mm	41 mm
31 mm	44 mm
33 mm	46 mm
40 mm	53 mm

Has transmission for Fix friction casement stay, optional top, bottom or at both ends. Handle height optional. Limitations, see catalogue section E. The number of side bolts is decided with regard to the height of the frame, see catalogue section E. Right and left are identical according to symbol. General description, catalogue section B.

Operation and features

Lockable with cylinder from one side or from both sides.
 Locking and unlocking is done manually with a key or a turn catch.

Installation

Instructions for milling, with measurements, catalogue section E.

Note

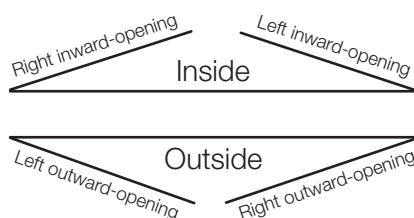
Lockable lock housings have a spacer between the lock housing lids. This prevents squeezing the lids together when mounting the cylinder.

Accessories

Receivers, page F 104–F 111.
 Protective plate Fix 873, page C 74.
 Sliding plate, page C 74.
 Handle fixture Fix 842, page C 75.
 Friction casement stay, page I 171–I 173.
 Face bolt, page C 72.
 Lock cylinder: Standard type oval cylinder.
 Other accessories for locking, page C 70–C 71.

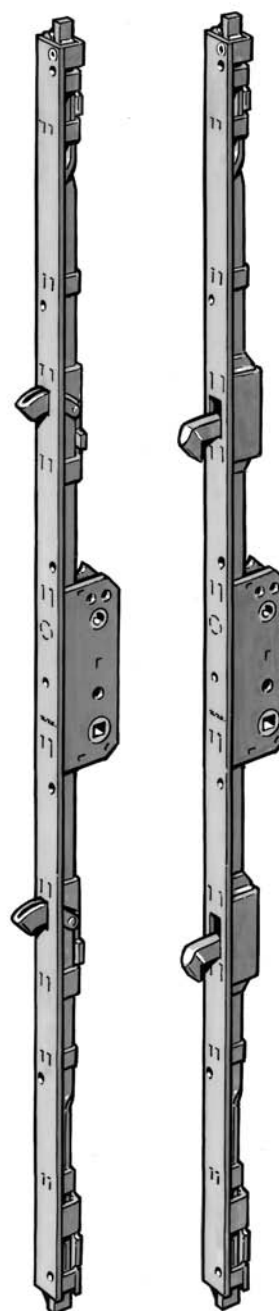
When ordering, please state:

1. Item number
2. Length
3. Handle height
4. Backset
5. Type of receiver
6. Right or left



S3451
S3453

S4451
S4461



S3251 (951, 951F)
S4251 (1051, 1051F)
S3551 (959F)
S4551 (1059F)

Made-to-measure espagnolette for glazed doors

PATENT

Used for outward- and inward-opening single doors, and for double doors with the sash sized for standard door lock. Lockable with cylinder.

S3251

For single doors
Bolt type: wedge bolt, bolt stroke 17 mm.
Face plate 25 x 2 mm (20 x 2 mm on request).
Also available with top transmission for Fix friction casement stay. Right and left are identical.

S4251

For single doors
Bolt type: hook bolt, or hook bolt and wedge bolt.
Face plate 25 x 2 mm.
The hook bolt gives increased protection against forced entry.
Also available with top transmission for Fix friction casement stay.
Right and left are identical.

S3551

For double doors
Has grab bolt type end bolts and wedge bolt type side bolts. Right and left according to symbol.

S4551

For double doors
Has grab bolt type end bolts and hook bolt type side bolts. The hook bolt gives increased protection against forced entry. Right and left according to symbol.

Design as for the rest for all

Backset 50 mm. Lock depth 72 mm.
Handle height optional.
Limitations: the number of side bolts is decided with regard to the height of the frame, see catalogue section E.
General description, catalogue section B.

Operation and features

Lockable with cylinder from one side or from both sides.
Locking and unlocking is done manually with a key or a turn catch.

Mounting

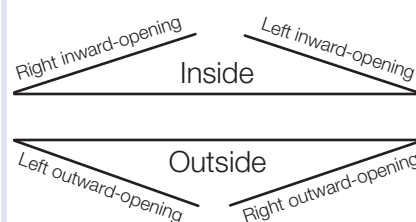
Instructions for milling, with measurements, catalogue section E.

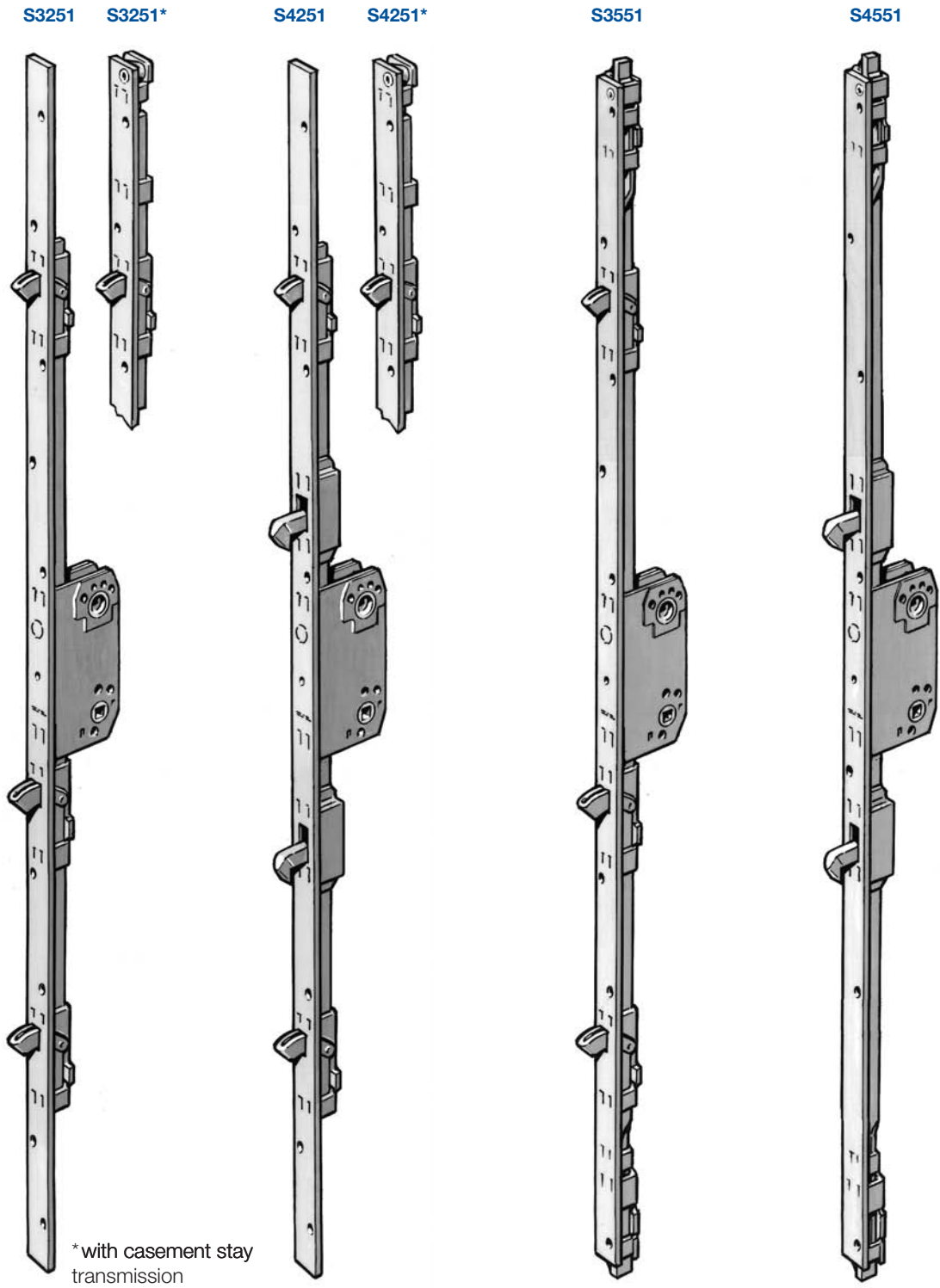
Accessories

Receivers, page F 104–F 111.
Protective plate Fix 873, page C 74.
Handle coupling, page G 137.
Friction casement stay, page I 171–I 173.
Lock cylinder and turn catch:
Door locks, standard type.

When ordering, please state:

1. Item number
2. Length
3. Handle height
4. Type of receiver
5. Number of bolts, type and placing.
6. Transmission for casement stay.
7. For Fix S3551 and S4551:
Right or left.

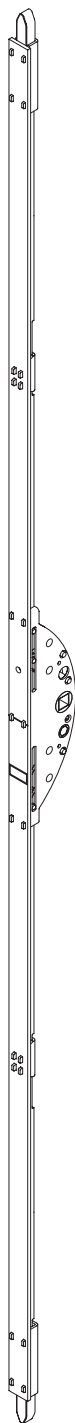




Made-to-measure espagnolette for windows

Used for inward- and outward-opening two-light windows with meeting sashes.

97



97

Espagnolette with end bolts, without casement stay transmission.

Face plate

16 x 2.3 mm.
25 x 2 mm.

Bolt rod

9 x 3.5 mm.

Backset

Backset	Lock depth
18 mm	26 mm
33 mm	41 mm
40 mm	48 mm

Profile

The espagnolette fits in Euro-note, with adaptation for lock housing.

Bolts

Centering end bolts with bolt stroke of 16 mm.

Bolt placement

Outside side bolts 185 mm from top edge/bottom edge espagnolette.
Center bolts 185 mm above/below handle height.

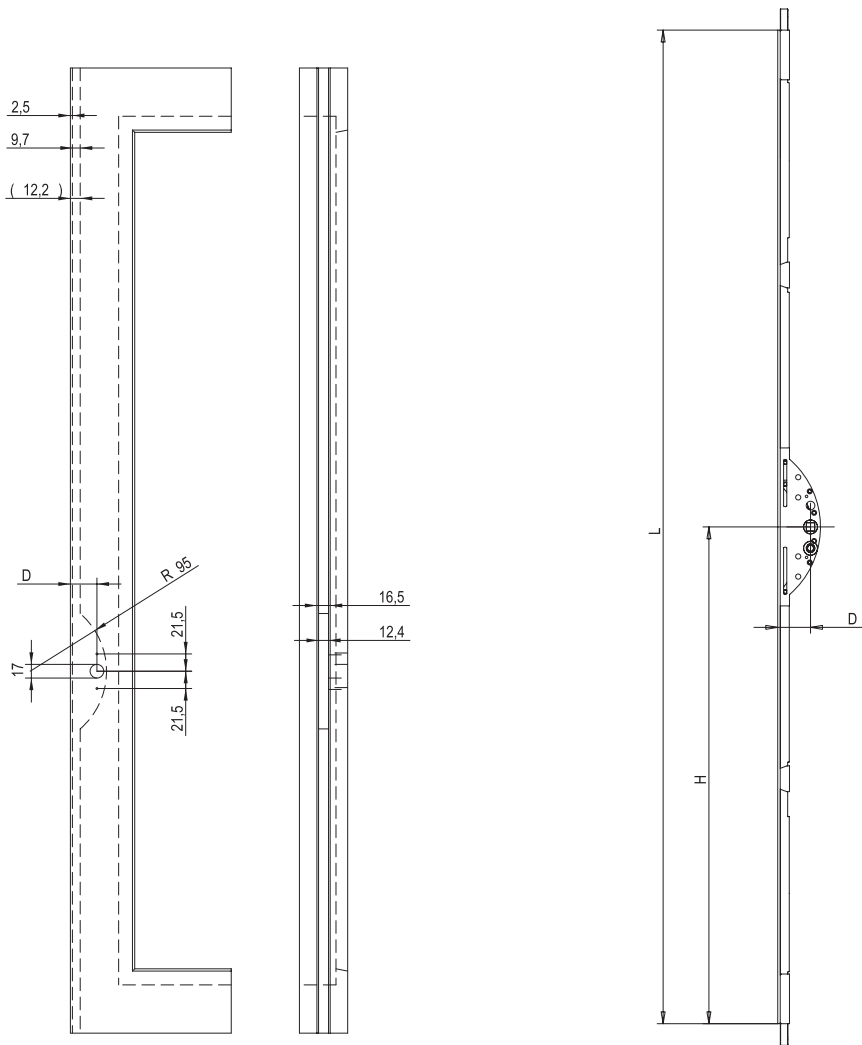
Accessories

Receivers, page F 104–F 111.

When ordering, please state:

1. Item number
2. Length
3. Handle height
4. Backset
5. Type of receiver

Instructions for milling.

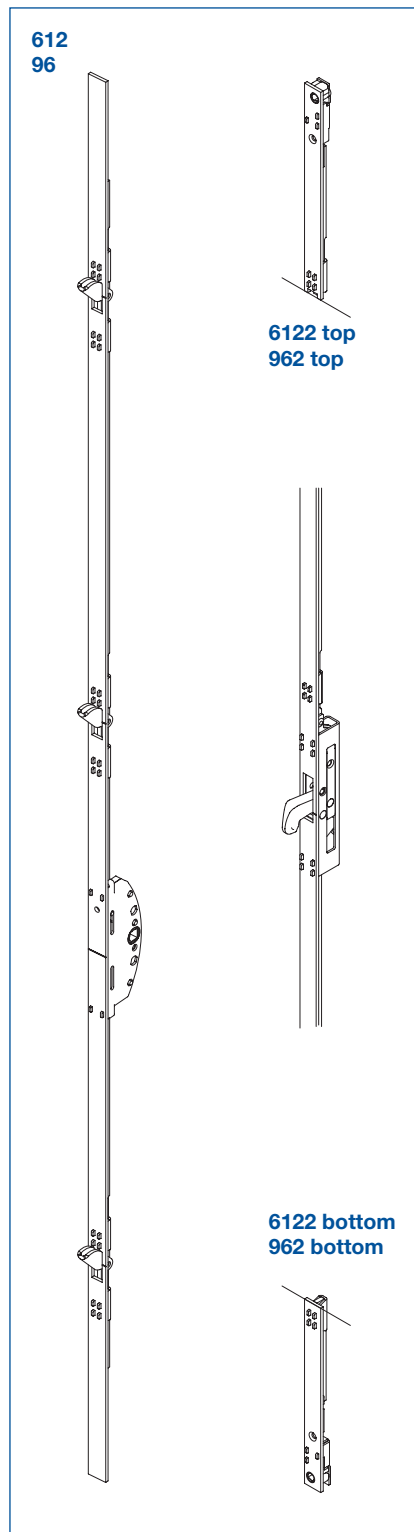


612
6122
96
962

Made-to-measure espagnolette for windows and glazed doors

PATENT

Used for inward- and outward-opening single doors
or single-light and two-light windows with mullion.



612, 96

Espagnolette with wedge bolts, or
hook bolts without casement stay
transmission.

6122, 962

Espagnolette with wedge bolts, or
hook bolts, casement stay transmission
top/bottom.

612, 6122

Face plate

25 x 2 mm.

96, 962

Face plate

16 x 2.3 mm.

Bolt rod

9 x 3.5 mm.

Backset

Backset	Lock depth
18	26
23	31
25	33
28	36
33	41
40	48
50	58

Profile

The espagnolette fits in Euro-note, with
adaptation for lock housing.

Bolts

Centering wedge bolts with bolt stroke
of 17 mm. Hook bolt 24 mm.

Bolt placement

Outside side bolts 185 mm from top
edge/bottom edge espagnolette.
Center bolts 185 mm above/below
handle height.

Accessories

Receivers, page F 104–F 111.
Protective plate, page C 74.
Sliding plate, page C 74.
Handle fixture, page C 75.
Friction casement stay.

Made-to-measure espagnolette for windows and glazed doors

PATENT

Used for inward- and outward-opening single doors or single-light and two-light windows with mullion. Lockable with cylinder.

612 CA, 96 CA

Espagnolette with wedge bolts, or hook bolts without casement stay transmission.

6122 CA, 962 CA

Espagnolette with wedge bolts, or hook bolts, casement stay transmission top/bottom.

612 CA, 6122 CA

Face plate

25 x 2 mm.

96 CA, 962 CA

Face plate

16 x 2.3 mm.

Bolt rod

9 x 3.5 mm.

Backset

Backset	Lock depth
28	40
33	45
40	52
50	62

Profile

The espagnolette fits in Euro-note, with adaptation for lock housing.

Bolts

Centering wedge bolts with bolt stroke of 17 mm. Hook bolt 24 mm.

Bolt placement

Outside side bolts 185 mm from top edge/bottom edge espagnolette.
Center bolts 185 mm above/below handle height.

Accessories

Receivers, page F 104–F 111.

Protective plate, page C 74.

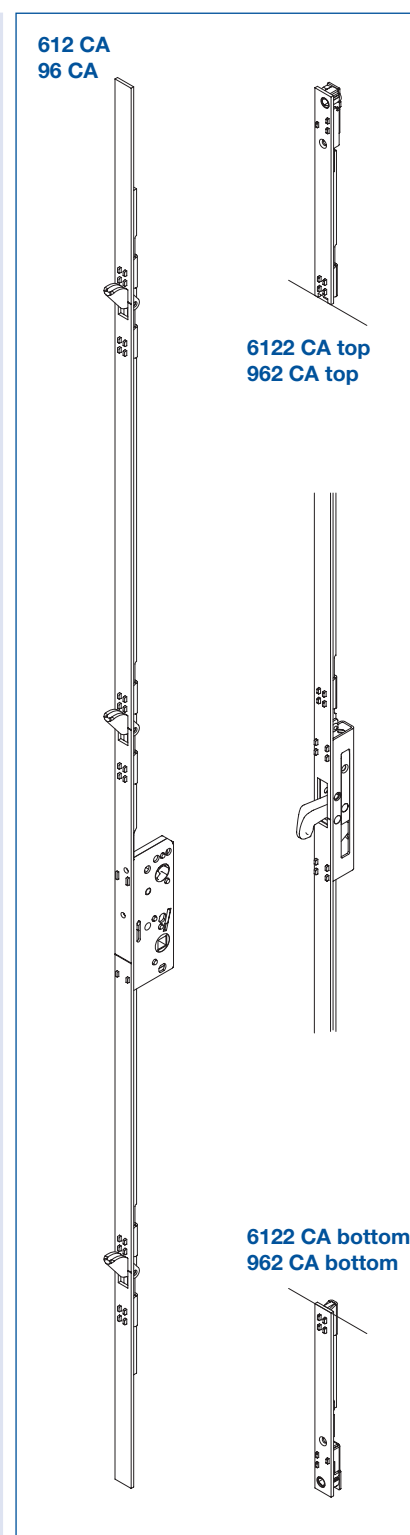
Sliding plate, page C 74.

Handle fixture, page C 75.

Friction casement stay.

Operation and features

Lockable with cylinder from one side or from both sides. Locking and unlocking is done manually with a key or a turn catch.



Made-to-measure espagnolette for windows

PATENT

Used for pivot and top-hung windows.

942

Espagnolette with wedge bolts and casement stay transmission.

Face plate

Steel 16 x 2.5 mm.

Bolt rod

Steel 9 x 3.5 mm.

Backset

Backset	Lock depth
33	41
40	48

Profile

The espagnolette fits in Euro-note, with adaptation for lock housing.

Bolts

Centering wedge bolts with bolt stroke of 17 mm.

Accessories

Receivers, page F 104–F 107.

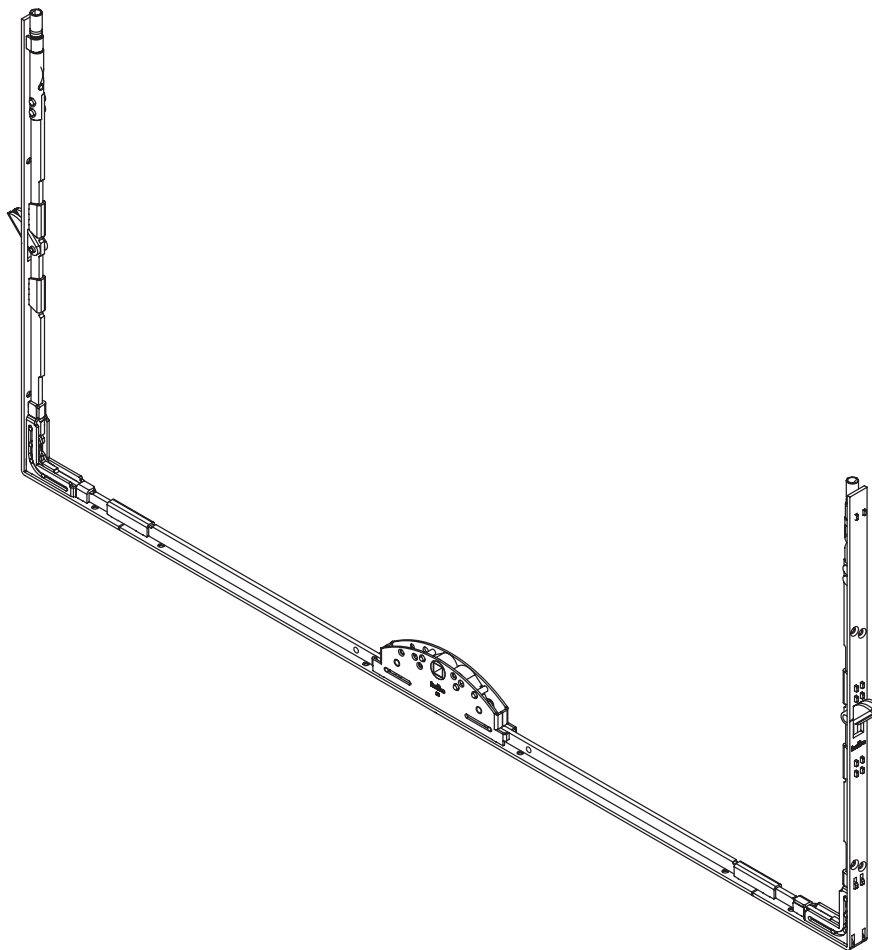
Protective plate, page C 74.

Sliding plate, page C 74.

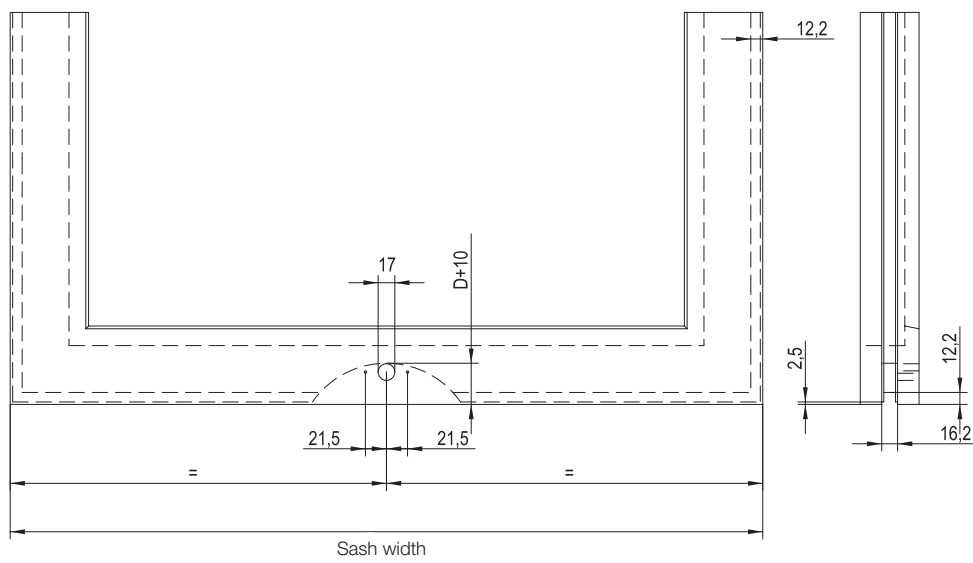
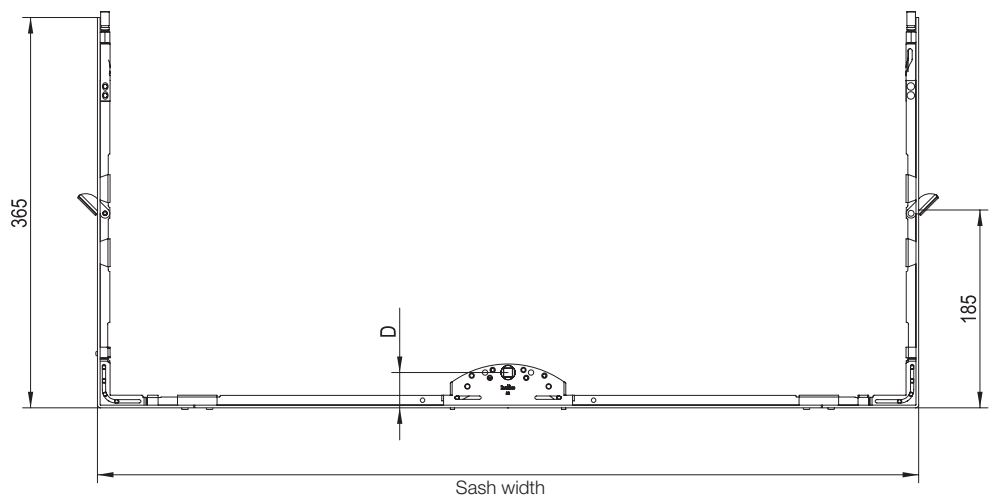
Handle fixture, page C 75.

Friction casement stay, page I 174.

942



Instructions for milling.



Made-to-measure espagnolette for windows

PATENT

Used for pivot and top-hung windows.

942

Espagnolette with hook bolts and casement stay transmission.

Face plate

Steel 16 x 2.5 mm.

Bolt rod

Steel 9 x 3.5 mm.

Backset

Backset	Lock depth
33	41
40	48

Profile

The espagnolette fits in Euro-note, with adaptation for lock housing and bolt housing.

Bolts

Self-locking and centering hook bolt with bolt stroke of 24 mm.

Accessories

Receivers, page F 109–F 111.

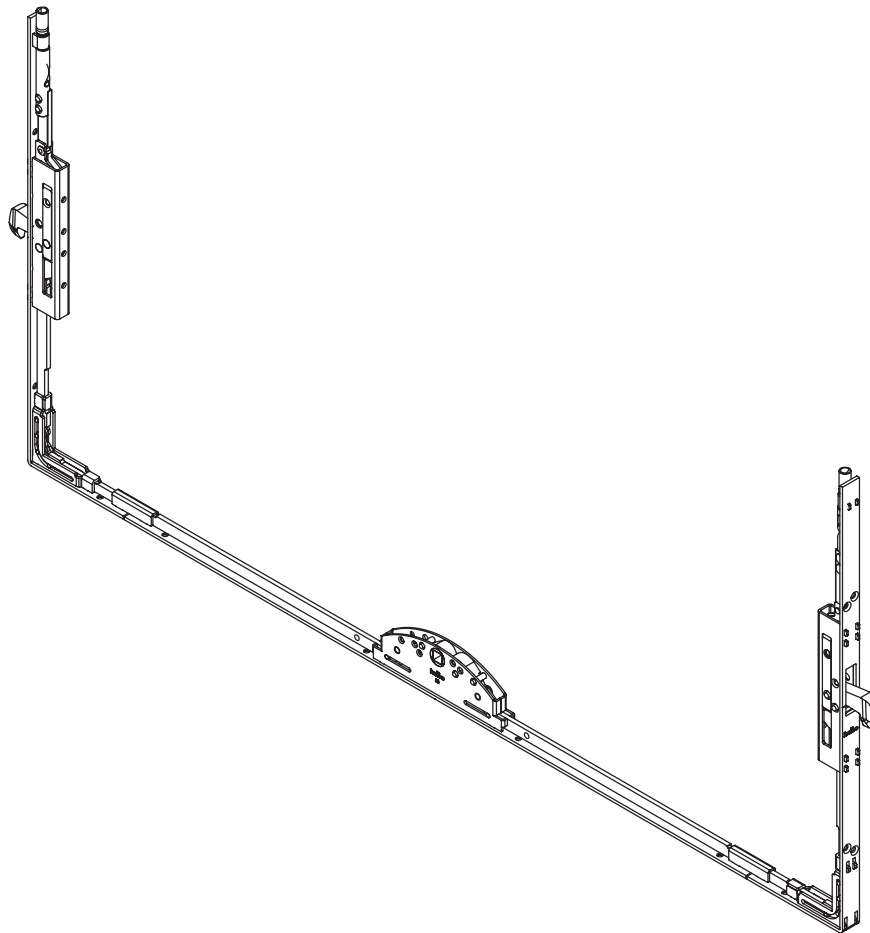
Protective plate, page C 74.

Sliding plate, page C 74.

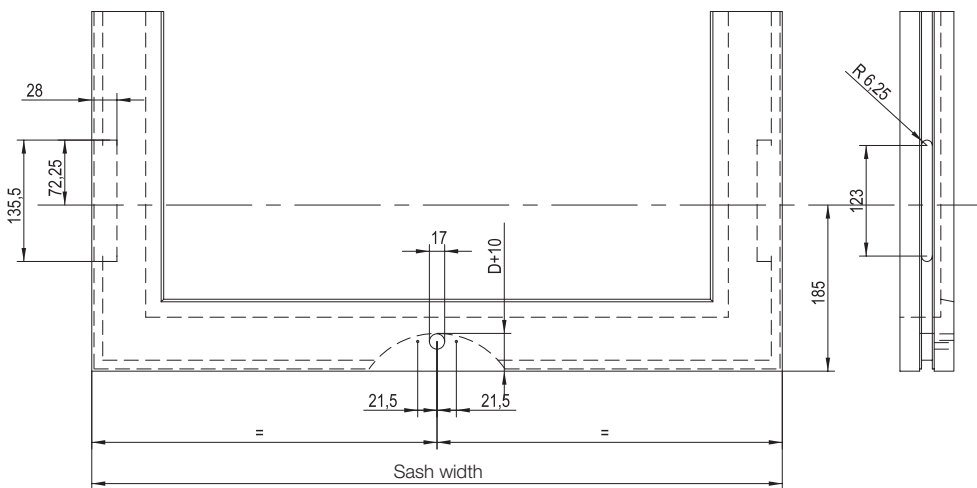
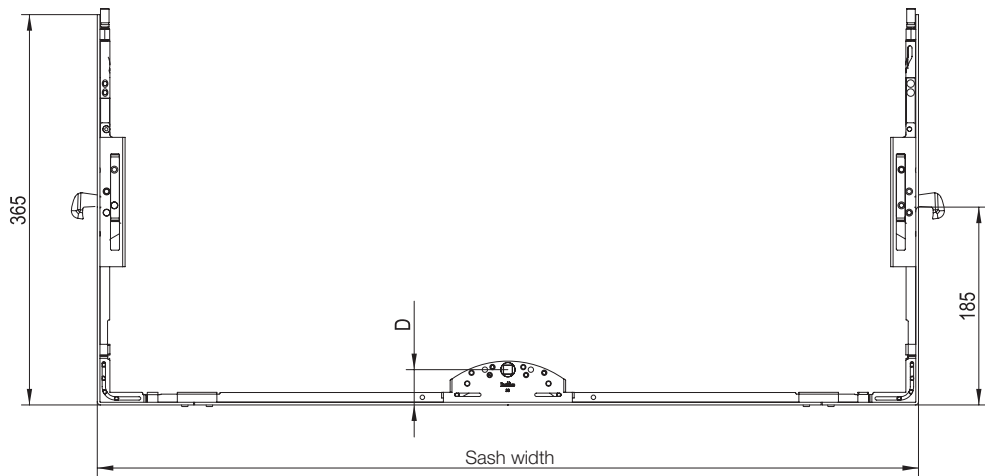
Handle fixture, page C 75.

Friction casement stay, page I 174.

942



Instructions for milling.



Made-to-measure espagnolette for windows

PATENT

Used for pivot and top-hung windows.

742

Espagnolette with wedge bolts and casement stay transmission.

Face plate

Steel 20 x 2.0 mm.

Bolt rod

Steel 9 x 3.5 mm.

Backset

Backset	Lock depth
33	41
40	48

Profile

The espagnolette fits milling according to drawing, with adaptation for lock housing.

Bolts

Centering wedge bolts with bolt stroke of 17 mm.

Accessories

Receivers, page F 104–F 108.

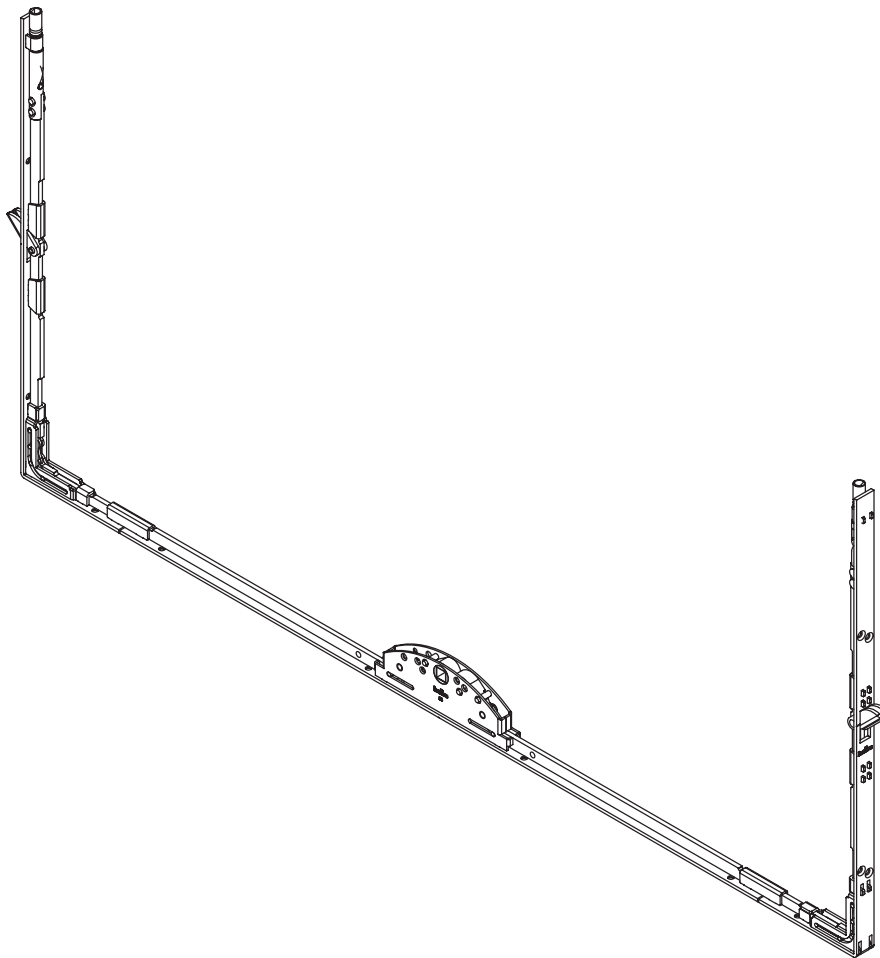
Protective plate, page C 74.

Sliding plate, page C 74.

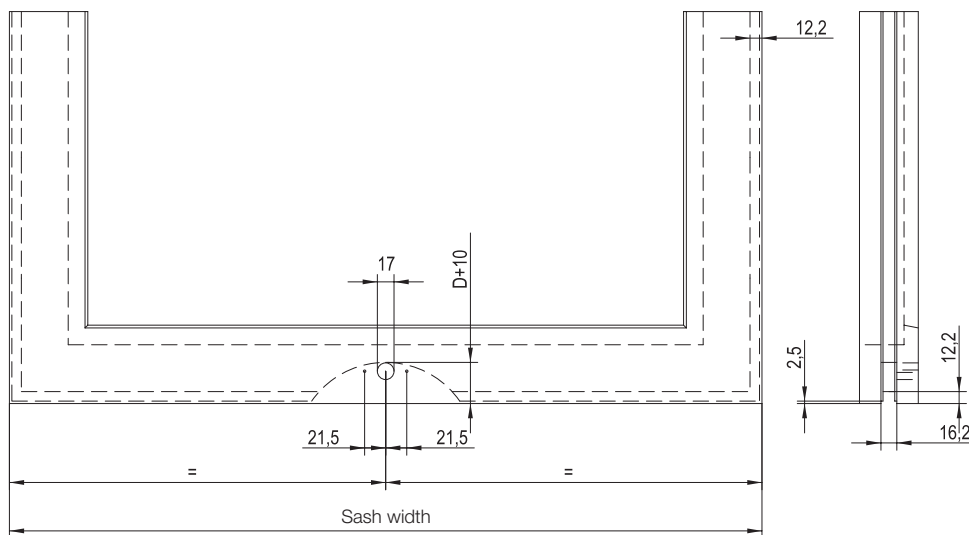
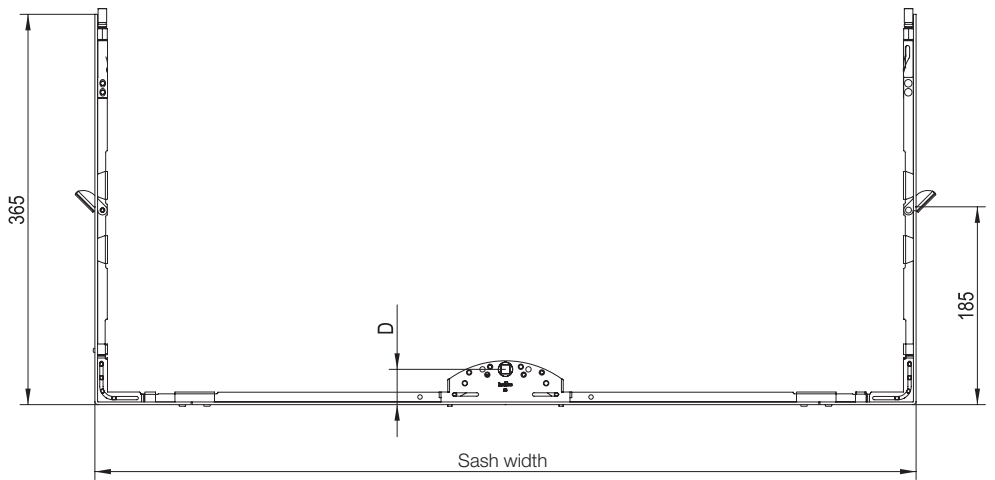
Handle fixture, page C 75.

Friction casement stay, page I 174.

742



Instructions for milling.



Made-to-measure espagnolette for windows

PATENT

Used for pivot and top-hung windows.

742

Espagnolette with hook bolts and casement stay transmission.

Face plate

Steel 20 x 2.0 mm.

Bolt rod

Steel 9 x 3.5 mm.

Backset

Backset	Lock depth
33	41
40	48

Profile

The espagnolette fits in Euro-note, with adaptation for lock housing and bolt housing.

Bolts

Self-locking and centering hook bolt with bolt stroke of 24 mm.

Accessories

Receivers, page F 109–F 111.

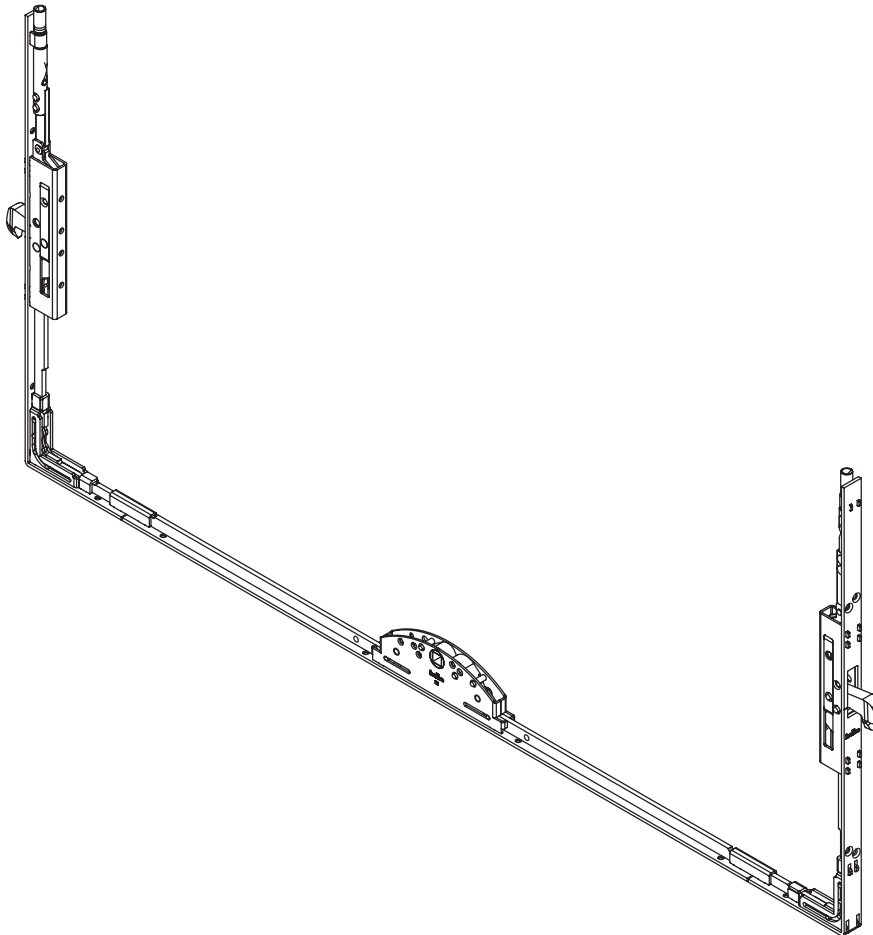
Protective plate, page C 74.

Sliding plate, page C 74.

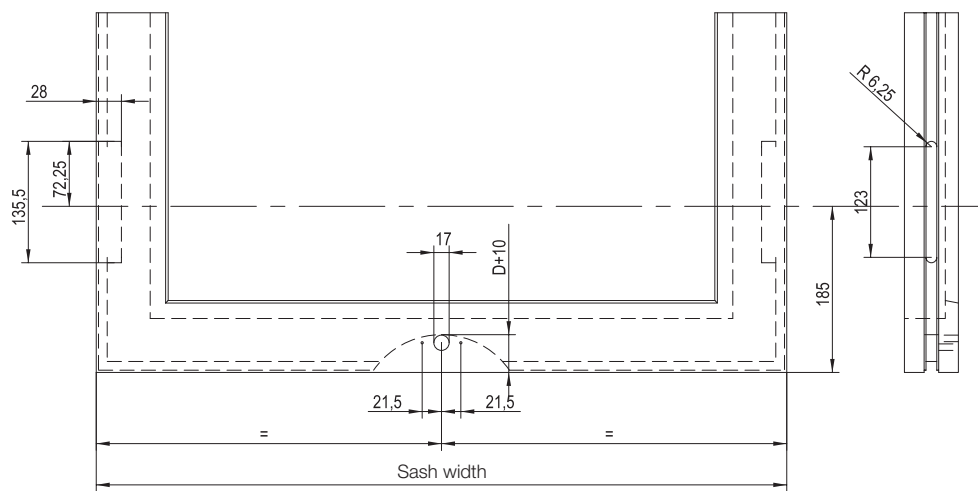
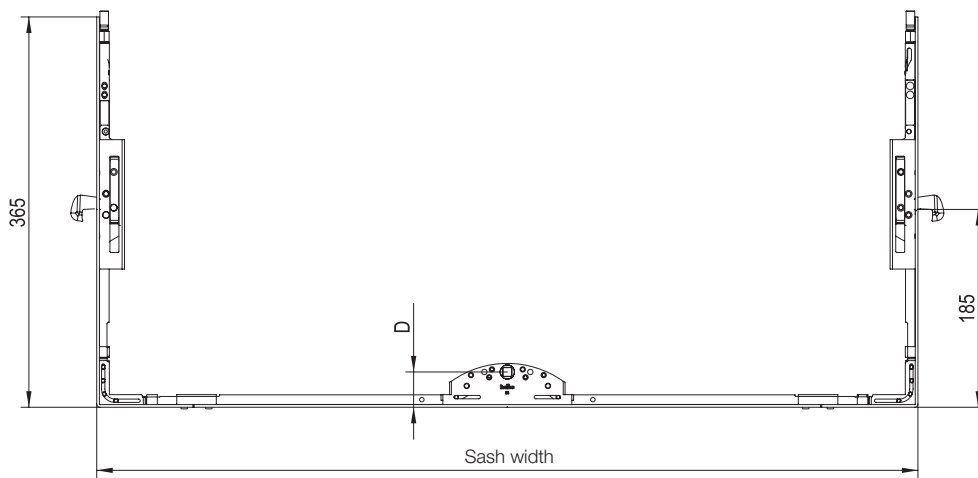
Handle fixture, page C 75.

Friction casement stay, page I 174.

742



Instructions for milling.



S8158 (825)
3954
4966

Made-to-measure espagnolette for windows

Used for pivot windows.

Fix S8158

Face plate 25 x 2 mm (20 x 2 mm on request).

Backset	Lock depth
20 mm	35 mm
18 mm	31 mm

Design as for the rest

Side rods 8 x 4 mm, with chamfered end.

Bolt, wedge bolt type, bolt stroke 17 mm.

Two or three bolts depending on sash width.

Handle placing: Center.

General description, catalogue section B.

Also available with security bolt, hook bolt type.

Installation

Instructions for milling, with measurements, catalogue section E.

Note

The bottom espagnolette face plate is extended past the transmissions and

equipped with bending instructions and guide slit for the transmission. When mounting on window, the plate edge is bent and functions as support for the side rod and the sash's corner reinforcement. The Fix 4966 rod guide is mounted as close to the top of the sash as possible and is held in place by the sash groove filling.

Accessories

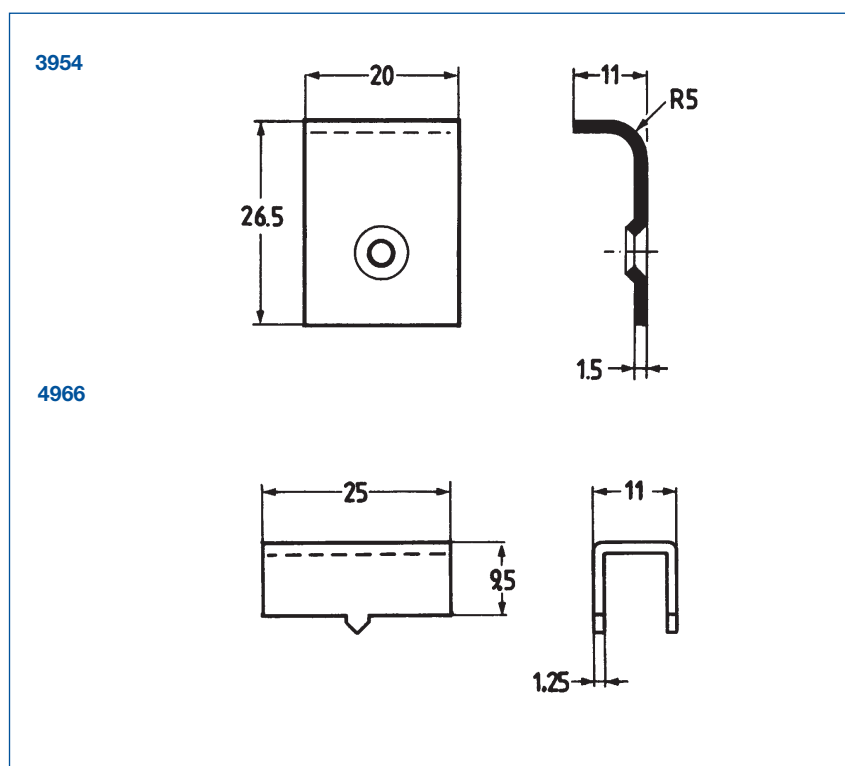
Receiver for side rod, Fix 3954.

Receiver for wedge bolt, page F 104–F 108.

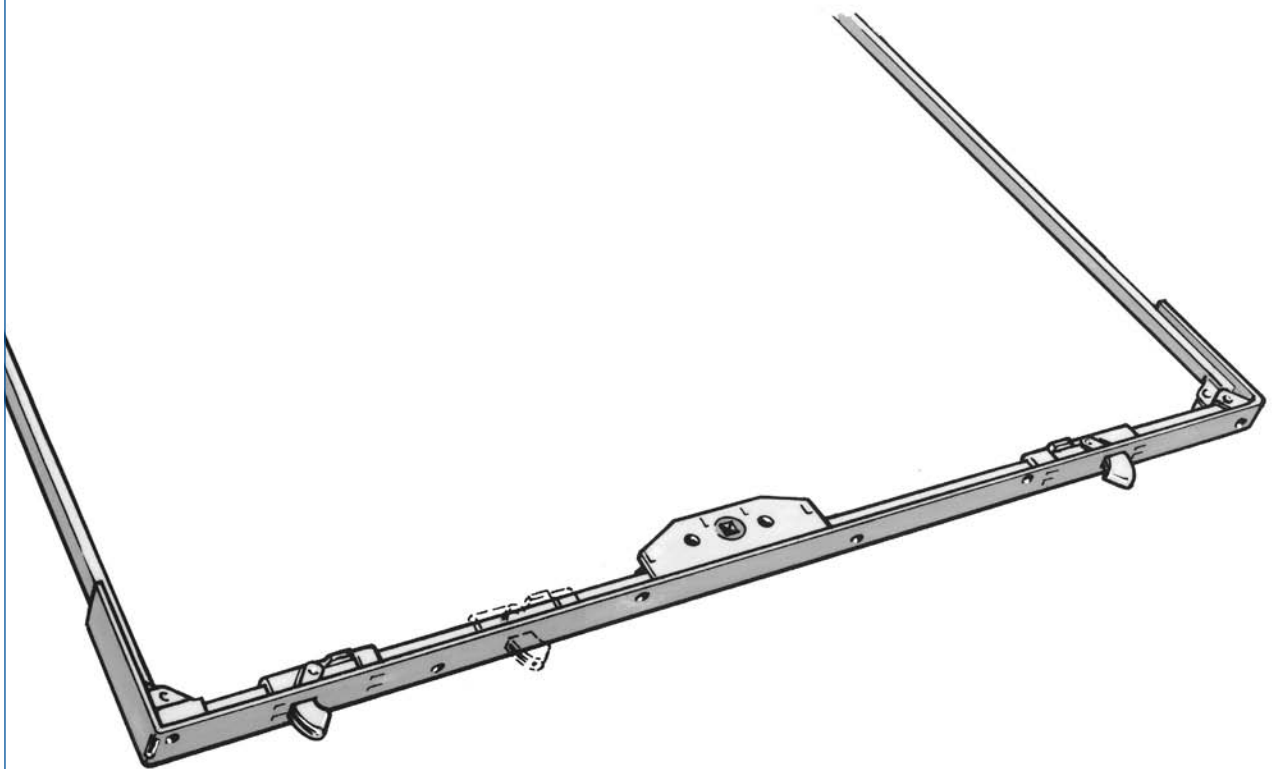
Rod guide Fix 4966. Handle fixture Fix 806, page C 75.

When ordering, please state:

1. Item number
2. Sash width (min. 480 mm)
3. Sash height
4. Backset
5. Whether bottom espagnolette should have three bolts
6. Receiver



S8158



5600
C270
1010
5512
730681

Espagnolette for windows

Used for windows with glide-hung sash, H window type.

Fix 5600

Design

Lock housing and separate rods, which (possibly after cutting) are coupled when mounted into the sash.

Backset 28 mm, lock depth 36 mm.

Rower # 8 mm or # 7 mm.

Rod 8 x 4 mm, bolt stroke 17 mm.

Rod 10 x 4 mm, bolt stroke 17 mm.

Rod 10 x 5 mm, bolt stroke 17 mm.

Operation

The chamfering of the rod end and the design of the receivers results in a sash movement of approx. 5 mm against the outside frame when closing the window.

When the window is closed, the rods are locked.

Material

Lock housing, rods and rod guides are made of galvanized steel. Rower is powder pressed, available in 7 and 8 mm.

Installation

Instructions for milling, with measurements, catalogue section E.

Accessories

Receivers Fix C270 and 1010.

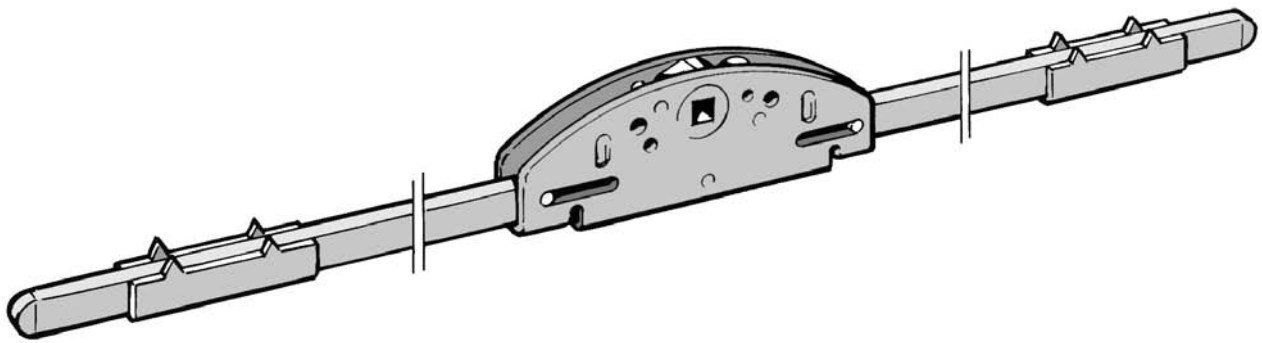
Handles, catalogue section G.

Rod guide Fix 5512, for 4 x 8 mm rod.

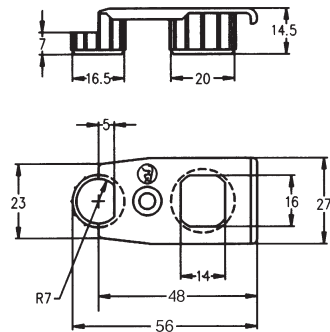
Rod guide Fix 730681, for 4 x 8 mm and 4 x 10 mm rod.

Standard length in mm:	Rod length in mm:
392	170
492	220
592	270
692	320
792	370
892	420
992	470
1092	520
1192	570
1292	620
1392	670
1492	720
1592	770
1692	820
1792	870
1892	920

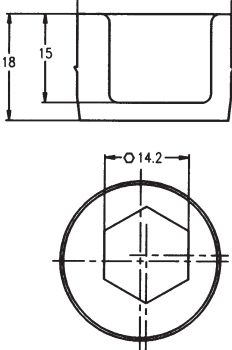
5600



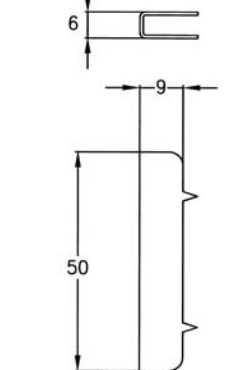
Receiver
C270



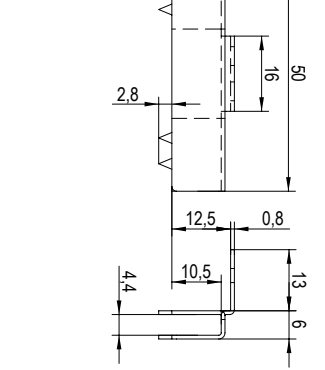
Receiver
1010



Rod guide
5512



Rod guide
730681



Made-to-measure espagnolette for windows

S1751 (960)
S1754 (990)
C270

Used for windows with glide-hung sash, H window type.

S1751

Face plate 20 x 2 mm.
Backset 28 mm.
Lock depth 38 mm.

S1754

Face plate 25 x 2 mm.
Backset 26 mm.
Lock depth 35 mm.

Design as for the rest for both

End bolt, grab bolt type.
Handle placing, centered.
General description, catalogue section B.

Operation

When closing, the grab bolts pull the sash approx. 10 mm towards the outside frame.
The lock housing has a linkage system with eccentric locking, which locks the rods when the window is closed.

Installation

Instructions for milling, with measurements, catalogue section E.

Accessories

Receiver Fix C270.
Handle fixture Fix 806, page C 46.
Handle, catalogue section G.

Receiver C270

The receiver has two positions for the bolts: Closed and airing positions.

Material

Zinc.

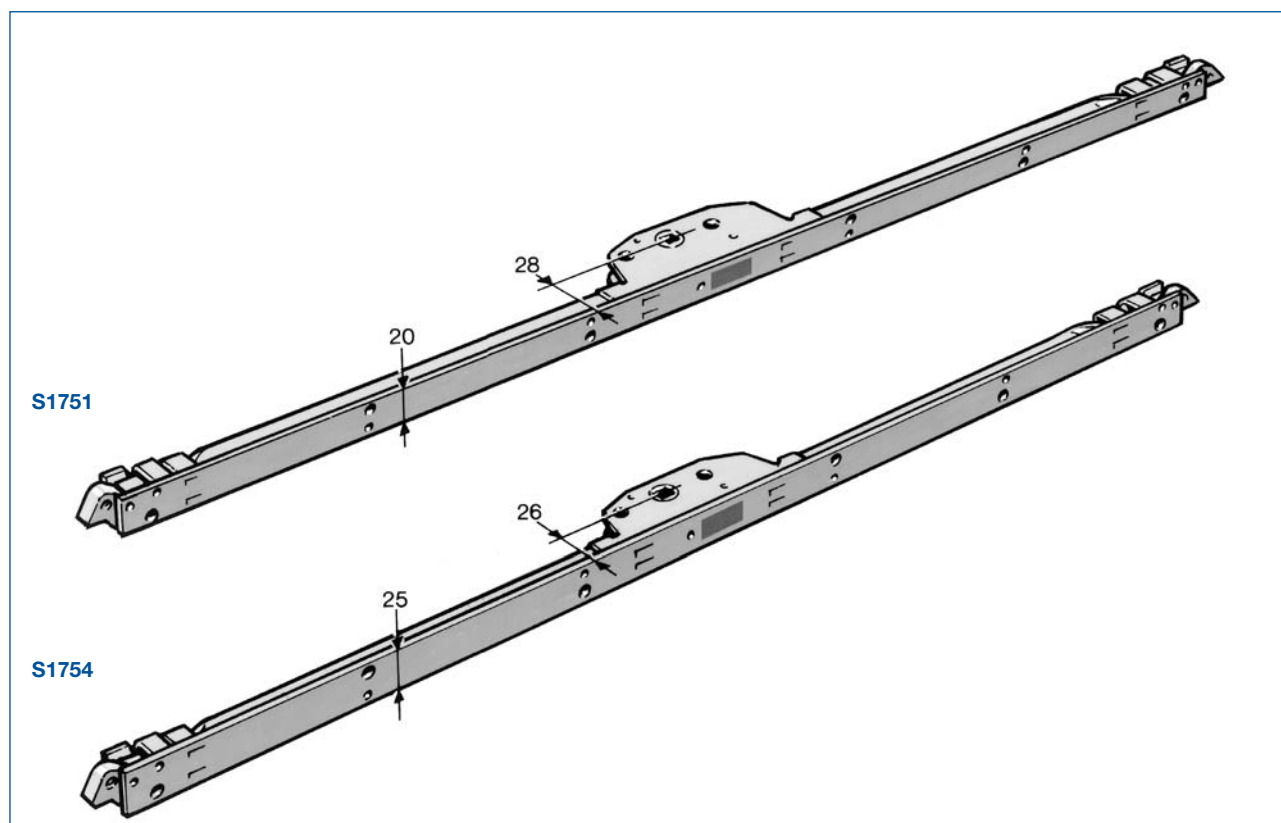
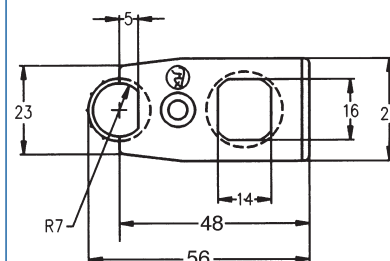
Screw

Use no. 9 (4.5 mm) TFX / DIN 7997.

When ordering, please state

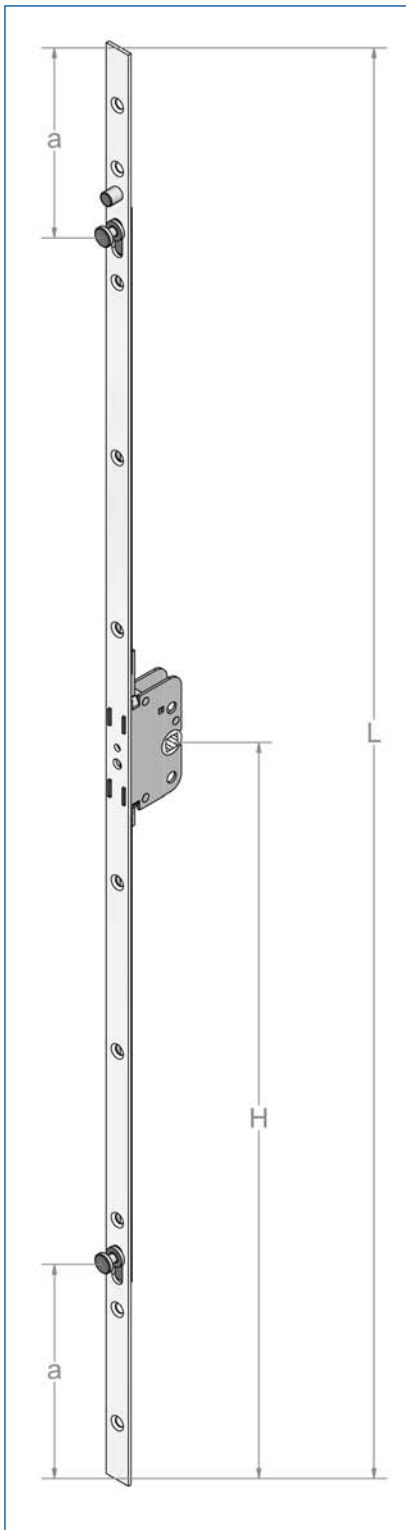
1. Item number
2. Sash width (min. 350 mm)
3. Receiver

C270



Mushroom bolt espagnolette for windows

Used for inward- and outward-opening side-hung or glide-hung windows.



Face plate

16 x 2, 20 x 2, 22 x 2 or 25 x 2 mm

Bolt rod

Flat 11 x 2.9 mm

Lock housing

Non-lockable

Side bolt

Mushroom bolt

Rower

Square 8 mm

Construction

The espagnolette has side bolt, mushroom bolt type, with sealing and securing operation. The guide pin helps center the sash in the outside frame. Fits in Euro-note (applicable to face plate 16 x 2).

Transmission casement stay

Yes

Right/left

Same

Accessories

Receiver: customer-fit

Backset	Lock depth
25	32
28	35
33	40
40	47

Dead lock for windows and hatches

2760
69
71
66R
071
068
067

Used for windows or hatches when no espagnolette is required.

Fix 2760

Design

Backset 25 mm, lock depth 36 mm.
Rower with square hole, 8 mm.

Characteristics

The lock bolt has a 13 mm bolt stroke.
The lock bolt has distinct positions for open and closed.
Right and left are identical.

Material

Brass rower.
Other parts of zamak alloy.

Installation

To be recessed. Measurement drawing below.

Accessories

Receiver Fix 66R (included).
Handle, catalogue section G.

Primo 69 and 71

Design

Backset 17 mm, lock depth 27 mm.
Rower with square hole, 7 mm.

Characteristics

The lock bolt has a 9 mm bolt stroke.
Right and left are identical.

Material

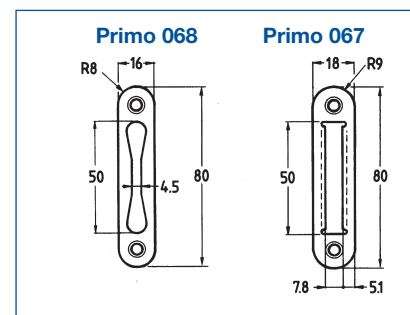
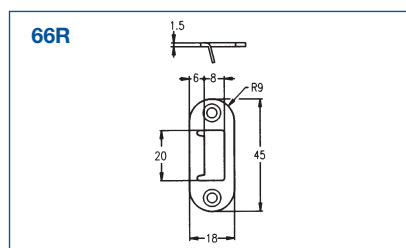
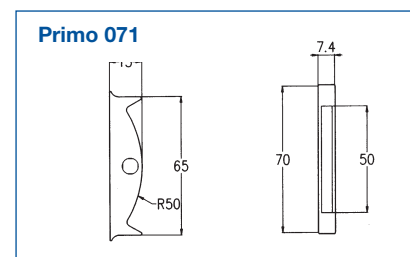
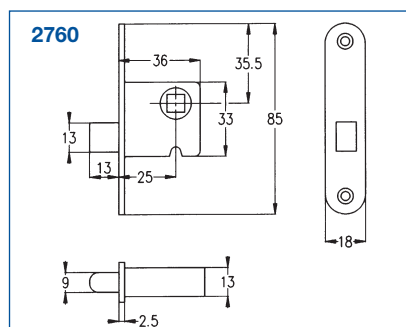
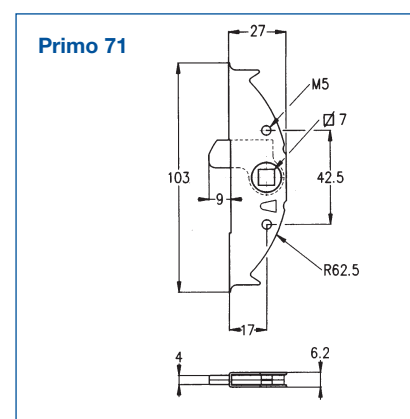
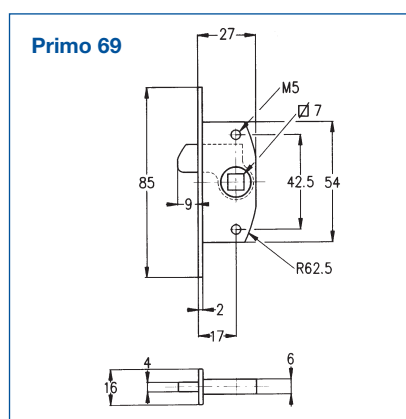
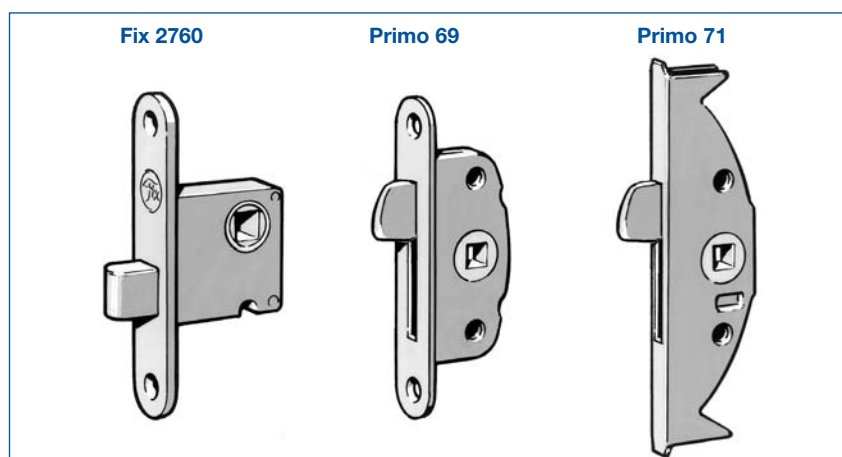
Galvanized steel.

Installation

To be recessed. Milling is done with a sawblade, 125 mm diameter (applies to Primo 71), measurement drawing below.

Accessories

Receiver Primo 068, 067 or 071.
Handle, catalogue section G.

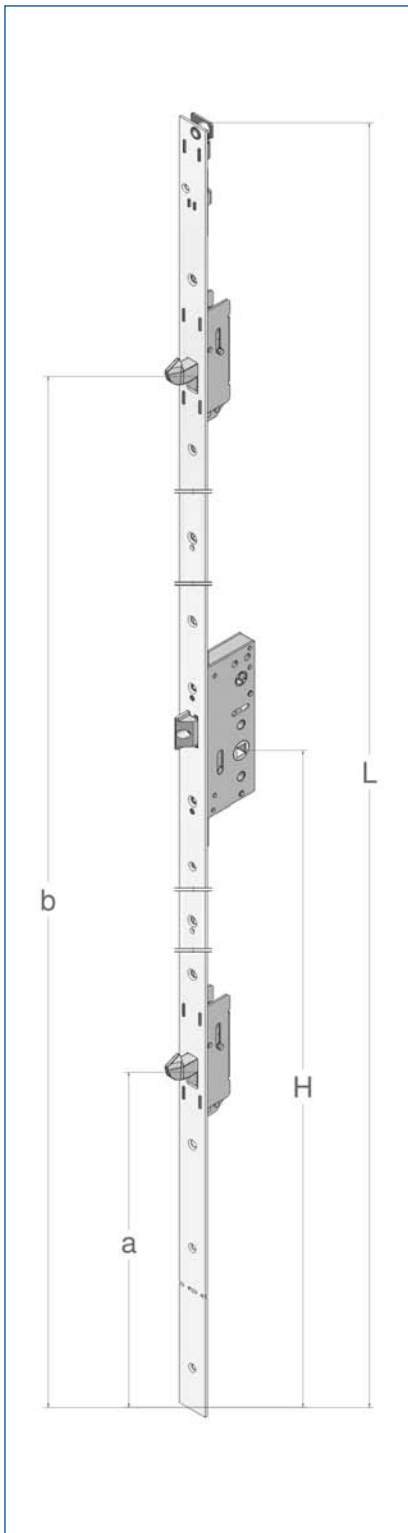


S3107
S4107
S4115

Made-to-measure latch bolt espagnolette for glazed doors

PATENT

Used for comfortable operation of glazed doors.
Lockable with cylinder.



S3107

Side bolt, wedge bolt type, bolt stroke 17 mm.
Face plate 16, 20, 22 and 25 mm.

S4107

Side bolt, hook bolt type, bolt stroke 25 mm.
Face plate 22 and 25 mm.

S4115

Side bolt, hook bolt type (Asgard), bolt stroke 25 mm.
Face plate 16, 20, 22 and 25 mm.

Bolt rod

Flat 11 x 2.9 mm

Lock housing

Lockable

Backset	Lock depth
31	44
35	48
40	53

Rower

Square 8 mm.

Construction

Meets requirements according to Swedish Standard SS3535 classification 3. The handle is pressed down for opening. For leaving open in airing position, the handle is lifted upwards (requires Fix friction door holder). The door is closed without operation the handle and is kept closed by the latch bolt. For operation of the side bolts and locking, the handle is lifted upward. Then, the key or turn catch is used. The handle always returns to a horizontal position. Available in right and left version, may be changed by rotating the latch bolt.

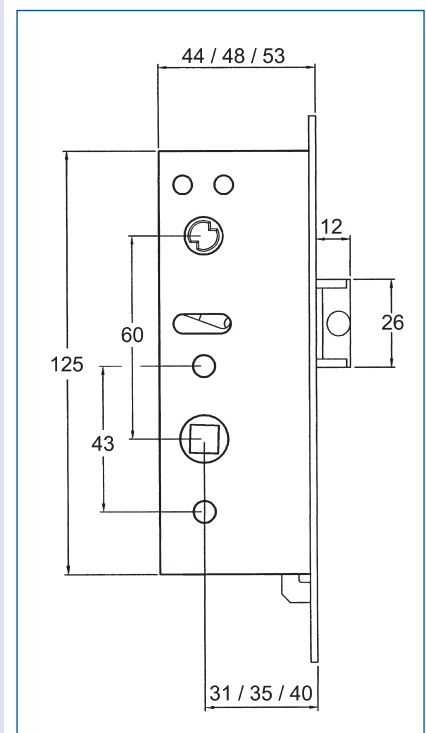
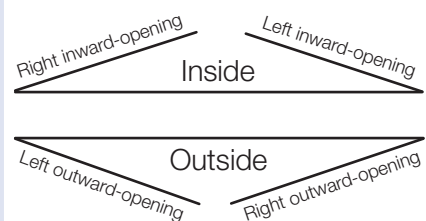
Transmission casement stay

Available on request.

Accessories:

Friction door holder, page I 171-I 173.
Receiver, page F 108-F 111.
Handle Vinga Fix 7314, Fix 7315.
Turn catch Vinga Fix 7335.
Cover plate Vinga Fix 7323.

Oval lock cylinder, standard type.



Espagnolette for glazed doors

Lockable with cylinder. In case of requirements for extra high security.

Fix S2453 and S2454

Used for inward- and outward-opening single doors with high security requirements. Enables approved locking from both sides. Not for coupled sashes.

Characteristics S2453

Meets requirements according to Swedish Standard SS3079, classification 3. Automatic bolting mechanism for the hook bolt. Tempered and force-controlled hook bolt. All the espagnolette bolts are secured by the hook bolt lock. Available with built-in micro switch. Espagnolette backset: 28 mm, lock depth 38 mm. Hook bolt lock Assa 13787 has backset: 30 mm, lock depth 49 mm, with transmission for mortised casement stay.

Operation: S2453

The espagnolette is closed by pressing the handle down. Locking with cylinder or handle.

Backset	Lock depth
28 mm (Fix lock housing)	38 mm
30 mm	
(Assa lock housing 13787)	49 mm

Characteristics S2454

Meets requirements according to Swedish Standard SS3522, classification 3. Automatic bolting mechanism for the hook bolt. Tempered and force-controlled hook bolt. All the espagnolette bolts are secured by the hook bolt lock. Available with built-in micro switch. Espagnolette backset 28 mm, lock depth 38 mm. Motor lock Assa 8087S has backset 30 mm, lock depth 49 mm, electric manipulation of the hook bolt. Voltage 12–24 V AC/DC. 10 m connection cable with control unit and receiver. The espagnolette has transmission for mortised casement stay.

Also available made-to-measure.

Operation: S2454

The espagnolette is closed by pressing the handle down, and the motor then drives the hook bolt out to lock the espagnolette bolt rod. The hook bolt may be operated mechanically with a key.

Backset	Lock depth
28 mm (Fix lock housing)	38 mm
30 mm	
(Assa lock housing 8087S)	49 mm

Design as for the rest S2453 and S2454

Bolt type: Hook bolt, wedge bolt and hook bolt.

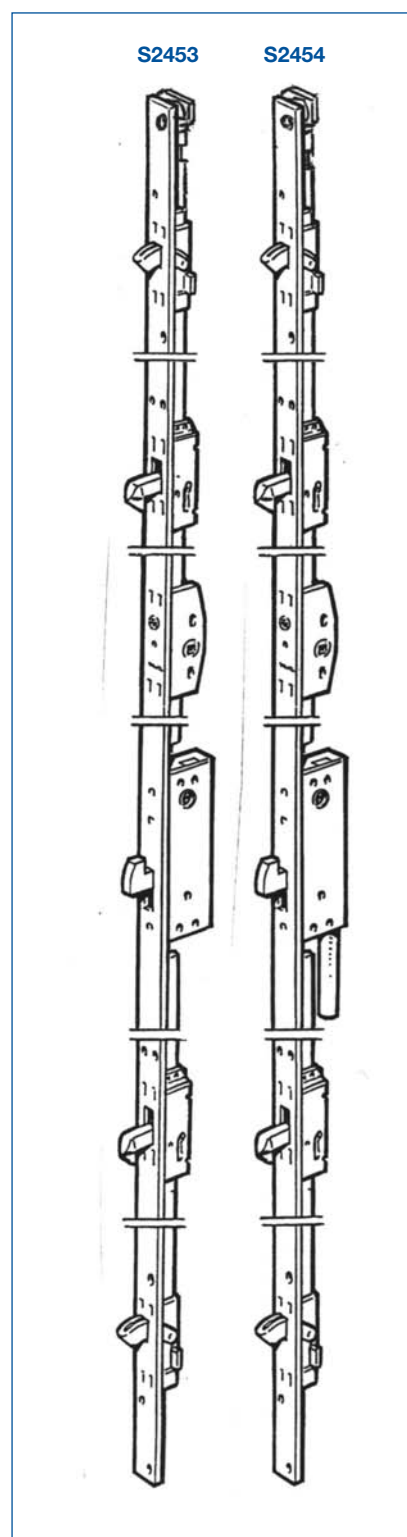
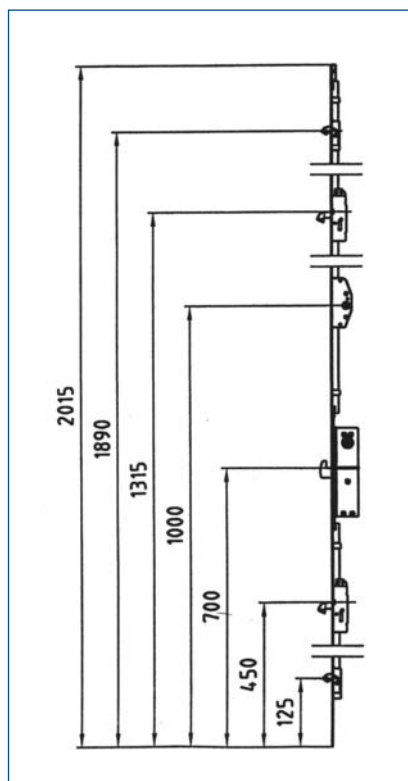
Face plate 25 x 2 mm.

Handle height 1000 mm.

Right and left are identical.

Receiver, page C40-43.

Receiver for Assa lock housing 1887-9.



Made-to-measure espagnolette for glazed doors, double doors

- S3451** (849F)
- S3452** (849FM)
- S1451** (860F)
- S1452** (860FM)
- S4451** (1049F)
- S4452** (1049FM)
- S2451** (1060F)
- S2452** (1060FM)

Used for outward- and inward-opening double doors. For comfortable handle operation of both active and passive doors. Also available with micro.

S3451 and S4451

For the active door.
Lockable with cylinder. Fix S3451 has side bolts, wedge bolt type, bolt stroke 17 mm.

Fix S4451 has side bolts, hook bolt type, bolt stroke 25 mm. Fix S3451 and S4451 also have end bolts, grab bolt type.

S1451 and S2451 For the active door.

Fix S1451 has side bolts, wedge bolt type, bolt stroke 17 mm.

Fix S2451 side bolts, hook bolt type, bolt stroke 25 mm.

Fix S1451 and S2451 also have end bolts, grab bolt type.

S3452, S4452, S1452 and S2452

For the passive door.

Fix S3452 and S4452 are lockable with cylinder.

End bolts, grip bolt type.

Face plate slots for side bolts, wedge bolt type, alternatively hook bolts on the espagnolette for the active door. Right and left according to symbol.

Design as for the rest for all

Face plate 25 x 2 mm.

Handle height optional.

Limitations, see catalogue section E.

Has transmission for Fix friction case-ment stay.

The number of side bolts and slots is decided with regard to the height of the sash, see catalogue section E.

General description, catalogue section B.

Installation

Instructions for milling, with measurements, catalogue section E. (Not applicable to bent rod for FM espagnolettes.)

Accessories

Receiver, page F 104–F 111, F 114–F 115.

Protective plate Fix 873, page C 74.

Handle fixture, page C 75.

Handle coupling, G 137.

Friction casement stay,

page I 171–I 173.

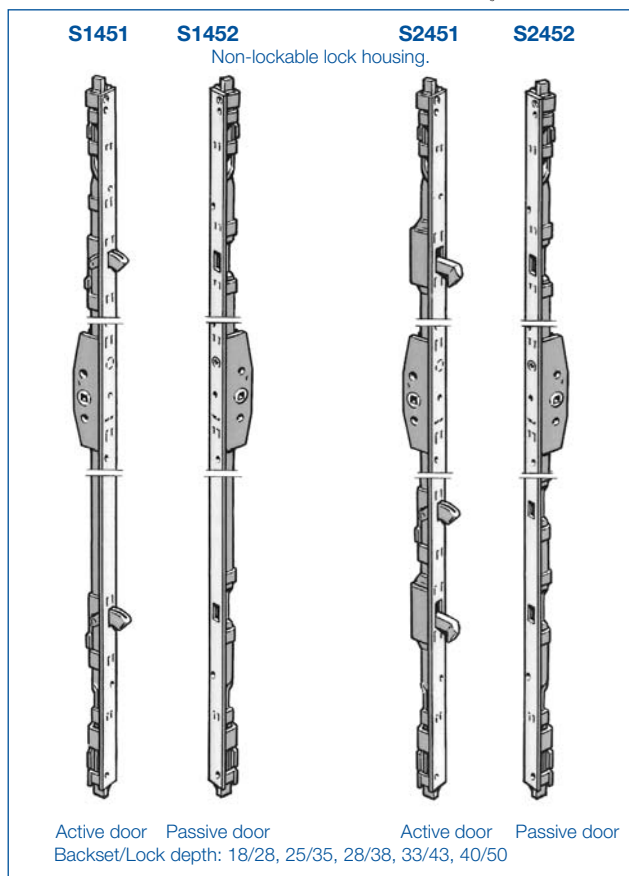
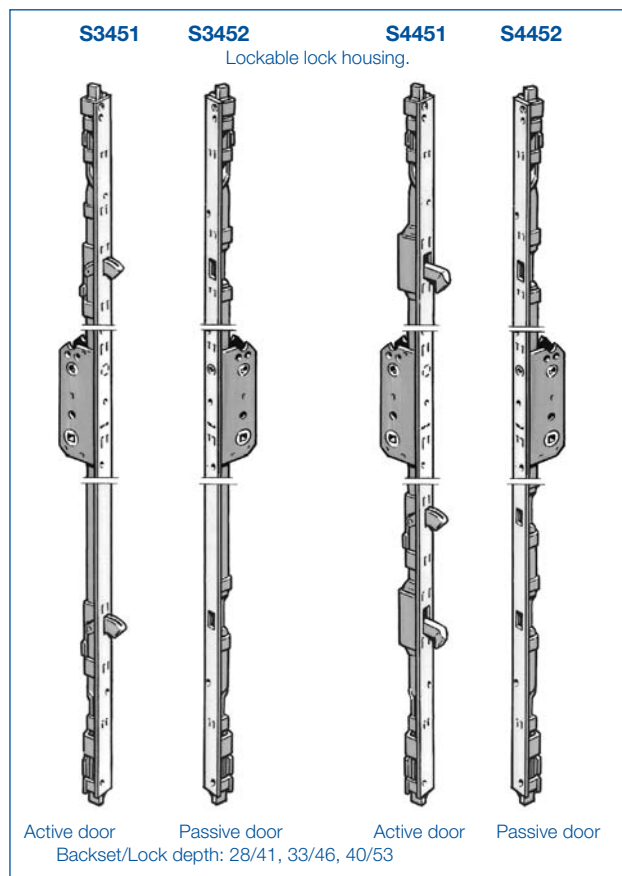
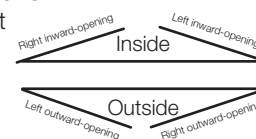
Lock cylinder: Oval cylinder, standard

type. Other accessories for locking,

page C 70–C 71.

When ordering, please state:

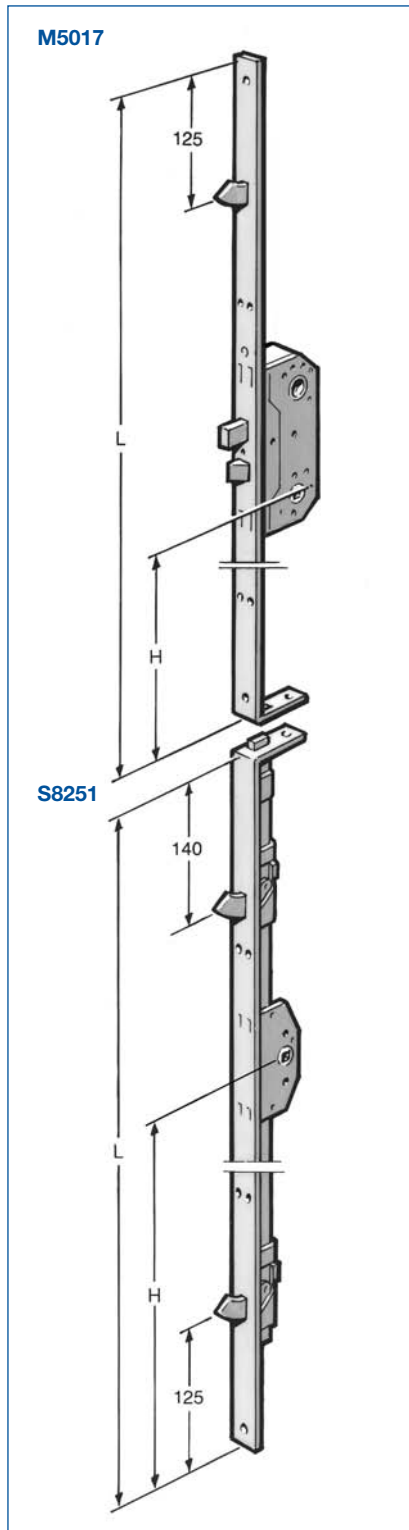
1. Item number
2. Length
3. Handle height
4. Backset
5. Type of receiver
6. Right or left



M5017 (2152)
S8251 (882)

Made-to-measure espagnolette for half doors

Used for outward- and inward-opening single doors,
half door type. Lockable with cylinder.



M5017

Lockable with oval or round cylinder with standard mounting. 360 or 90 degree key turn.

Prepared for micro switch (accessory kit Fix 5030).

Backset 50 mm.

Lock depth 74 mm.

Dead bolt, latch bolt and 1 wedge bolt, 125 mm from upper edge.

Face plate bent at bottom end with a slot for end bolt from Fix S8251.

Available in right and left version.

Can be changed by rotating the latch bolt.

S8251

Backset 40 mm.

Lock depth 53 mm. Side bolts, wedge bolt type.

Bottom side bolt 125 mm from bottom edge, top side bolt 140 mm from top edge.

End bolt, wedge bolt type top, guided through slot in bent face plate.

Right and left are identical.

Design as for the rest for both:

Face plate 25 x 2 mm.

Galvanized steel. Optional length and handle height. Limitations, see catalogue section E.

Operation and features

When the bottom half of the door is closed (side bolts in operation, end bolt retracted), the top half of the door can be opened. When the bottom half of the door is opened, by turning the bottom espagnolette handle up (side bolts retracted, end bolt in operation), the entire door can be opened and closed using the top handle.

When the door is unlocked, wedge bolts and latch bolt are retracted. The latch bolt is in operation and keeps the door in place and closed. The top handle is horizontal and is pushed down to open the door. The door can be closed without turning the handle.

Turning the handle up will lock the door. The wedge bolt is then operated and enters the receiver. A locking turn is then done with the key or turn catch. The dead bolt is then operated and is locked together with the wedge bolt.

Installation

Instructions for milling, with measurements, catalogue section E.

Accessories

Receivers, page F 104–F 108.

Handle for Fix S8251, catalogue section G.

Handle fixture Fix 806, page C 75.

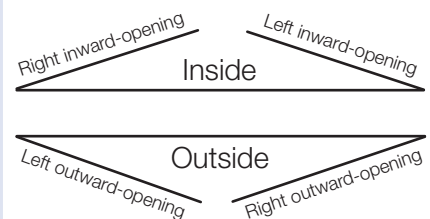
(Applies to Fix S8251)

Handle and turn catch for Fix M5017, of standard type for standard door lock (no return spring).

Lock cylinder: Oval or round cylinder with standard mounting.

When ordering, please state:

1. Item number
2. Length
3. Handle height
4. Type of receiver
5. 90 or 360 degree key turn (applies to Fix M5017)
6. Right or left (applies to Fix M5017).



Made-to-measure espagnolette for evacuation doors

S8452 (8750)
S8454 (8751)
S8457 (8752)
5540

Used for outward- and inward-opening single doors and double doors.

S8452

For double doors.
 Mounted into passive doors.
 End bolt, grab bolt type and round cone-shaped bottom only, bolt stroke 14 mm.
 Slot in face plate as receiver for active door lock.
 Right and left according to symbol.

S8451

As above, but with top and bottom grab bolt.

S8453

As above, but with top and bottom round cone-shaped bolt.

S8454

For double doors.
 Mounted into active doors.
 End bolts, grab bolt type, or round cone-shaped, bolt stroke 14 mm.
 Side bolts, wedge bolt type, bolt stroke 17 mm.
 Right and left according to symbol.

S8457

For single doors.
 Side bolts, wedge bolt type only, bolt stroke 17 mm.
 Right and left are identical.

Design as for the rest for all

Face plate 25 x 2 mm.

Lock housing

Backset	Lock depth
18 mm	31 mm
23 mm	36 mm
28 mm	41 mm
40 mm	53 mm

The espagnolettes have reversed handle movement. When closed, the handle is horizontal. When open, the handle is pointing down. General description, catalogue section B.

Installation

Instructions for milling, with measurements, catalogue section E. (Not applicable to bent rod for the S8452 espagnolette.)

Evacuation cover Fix 5540

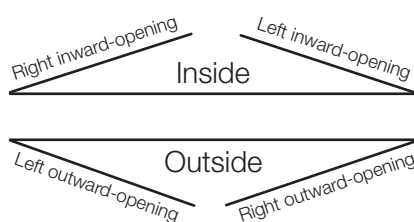
Plastic cover, green, mounted over the handle.
 Fits handles Fix 42, 76, 83, 95, 876S and 835S.

Accessories

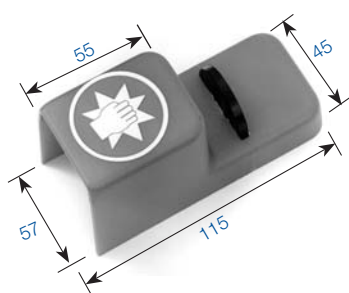
Receiver, F 104–F 108, F 114–F 115, F 119.
 Handle fixture Fix 806, page C 75.
 Handle, catalogue section G.

When ordering, please state:

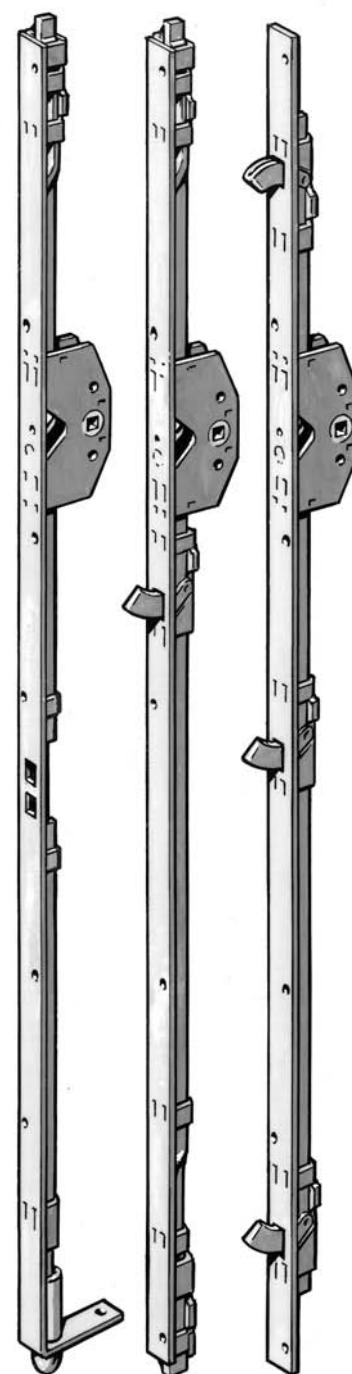
1. Item number
2. Door height
3. Handle height
4. Right and left according to symbol (applies to Fix S8452 and S8454)
5. Gap between door and floor when threshold is missing (applies to Fix S8452 and S8454)
6. Type of door lock in active doors and lock placing, to facilitate slots in the espagnolette face plate for the door lock bolts (applies to Fix S8452).



5540 Shackle for padlock ø8 mm.



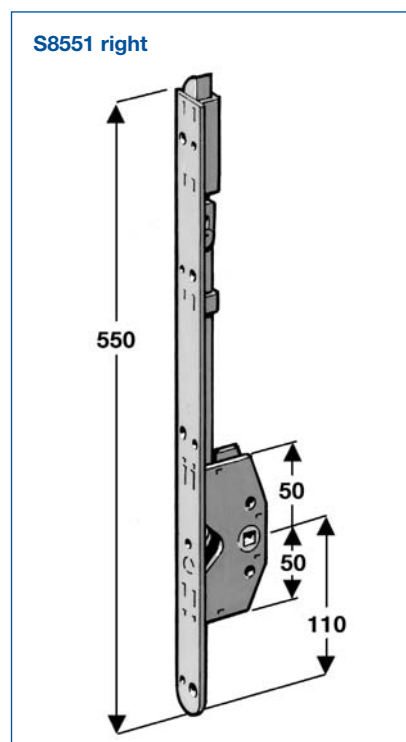
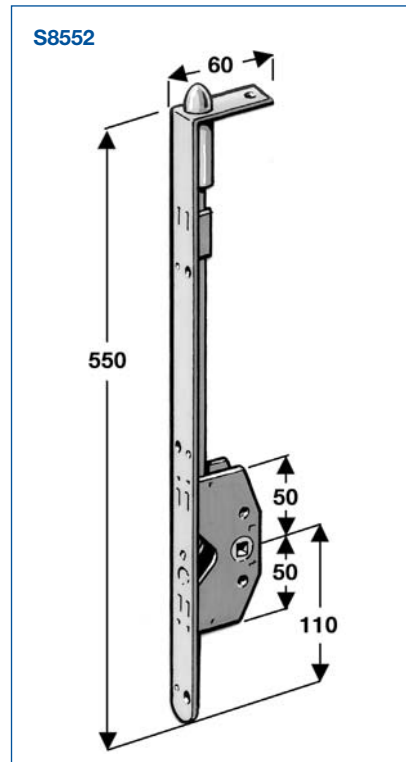
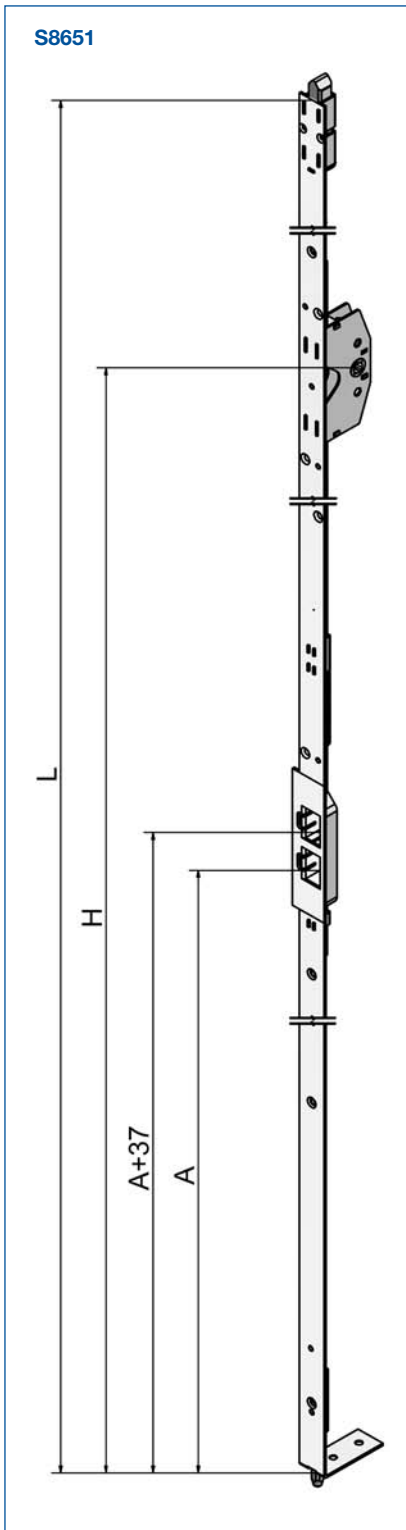
S8452 **S8454** **S8457**



S8552 (8814)
 S8551 (8813)
 S8651 (8840)

Made-to-measure espagnolette for double doors

Used for outward- and inward-opening double doors. Mounted at the top of passive doors.



S8552

For inner doors in hospital, school, etc. End bolt, top only, round cone-shaped, bolt stroke 14 mm. Right and left are identical.

S8551

Used like Fix S8552 and for fireproof doors, which is to close automatically. End bolt top only, chamfered, spring-operated.

Backset	Lock depth
23 mm	36 mm
40 mm	53 mm

Right and left according to symbol.

S8651

Used for fireproof doors, which automatically bolts the passive door closed in case of fire.

Available with slot in face plate for optional active door lock or prepared for mounting of receiver on the face plate.

Backset	Lock depth
40 mm	53 mm

Design as for the rest

Face plate 25 x 2 mm in galvanized steel. The espagnolettes have reversed handle movement. When closed, the handle is horizontal. When open, the handle is pointing down. On Fix S8551 and S8651, the handle returns to a horizontal position after closing. (Applies to handles without locking position.) General description, catalogue section B.

Installation

Instructions for milling, with measurements, catalogue section E.

Accessories

Receiver, page F 114–F 115, F 119

Handle fixture Fix 806, page C 75.

Handle Fix 17, page G 138.

For Fix S8551 and S8651, handles without locking position should be used, catalogue section G.

When ordering, please state:

1. Item number
2. Length
3. Handle height
4. Right or left (applies to Fix S8551).

Sliding door espagnolette

Used for sliding doors. Lockable with cylinder.

Face plate

25 x 2 mm

Bolt rod

Standing 12 x 3.5 mm

Lock housing

Lockable

Side bolt

Hook bolt, bolt stroke 25 mm

Rower

Square 8 mm

Right/left

Same

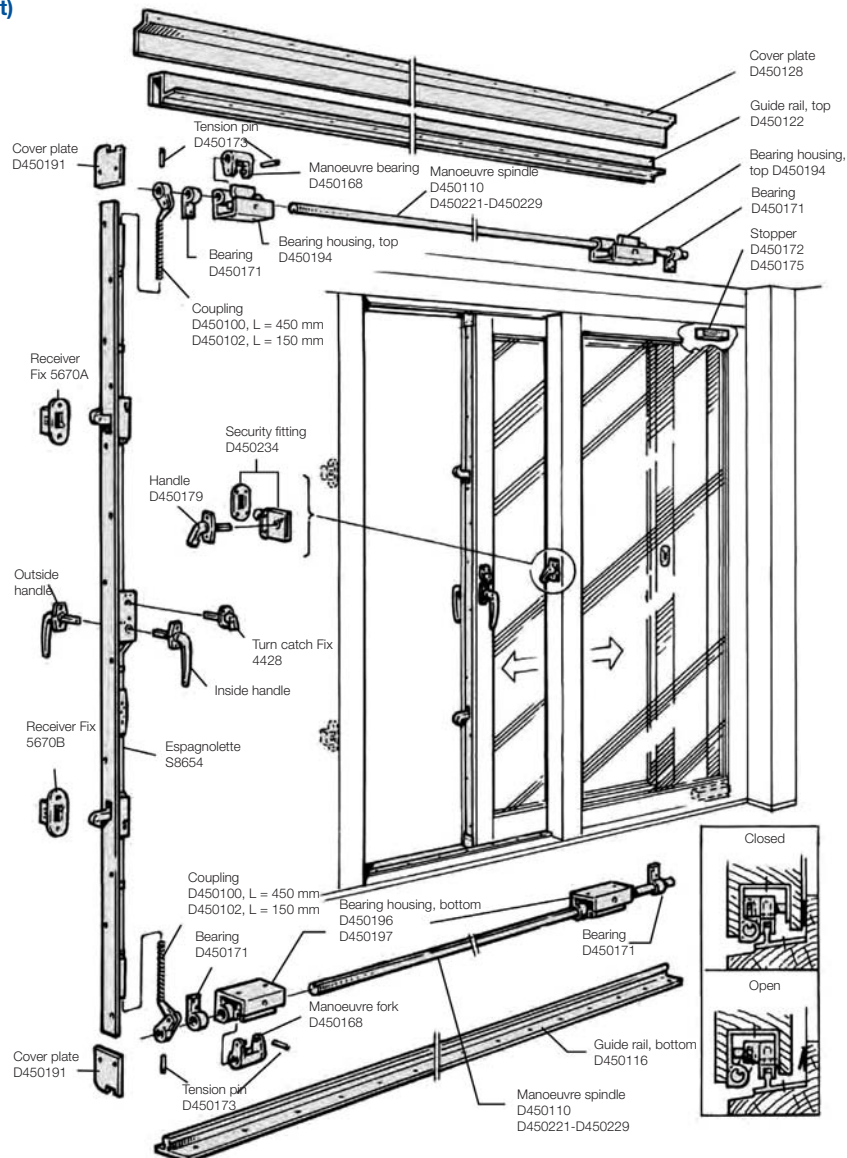
Accessories:

Complete kit for sliding doors, called Sliding door fitting G1225.

Note:

Max weight, sliding door 150 kg.

Backset	Lock depth	c/c
40	53	60
40	53	105

G1225 (complete kit)


4428
4087
4408

Lockable espagnolette, mounting example, accessories

The mounting examples assume that the door has penetrating holes for oval cylinder. When mounting the inside of the cylinder, the inner handle must have a break-secure device in the handle pin.

Turn catch 4428

Material

Zamak. Polished or satin chromated, brass plating, white or brown powder varnish.

Spindle length: 25, 43 and 52 mm.

Installation

Insert the turn catch into the lock row of the espagnolette with the handle pointing down in locked position. Cover plate Fix 4087.

Material

Zamak. Polished or satin chromated, brass plating, white or brown powder varnish.

Screw receiver length 15 and 23 mm. Protection plate Fix 4408.

Used for drill protection, for increased protection against forced entry.

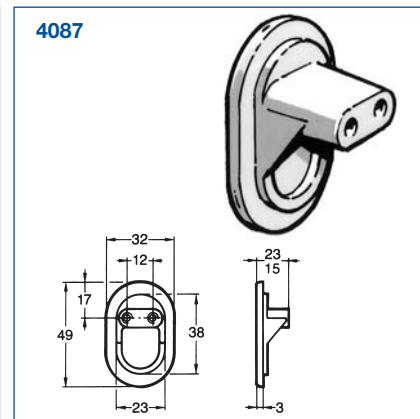
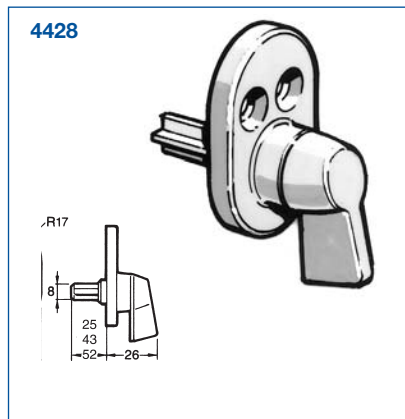
Material

Tempered steel, galvanized.

Installation

Mounted inside the cover plate and kept in place by penetrating screws.

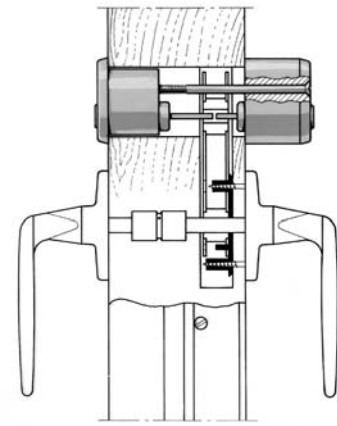
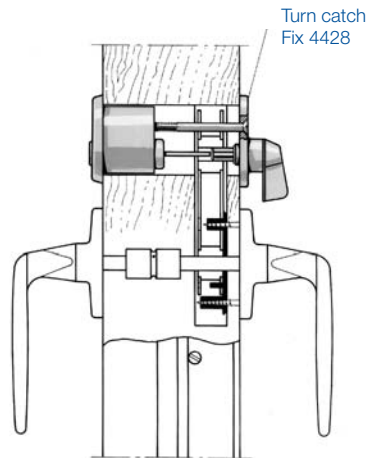
See also the Vinga handle series, page G 126, G 129–G131



Mounting example

Cylinder outside. Turn catch inside.

Cylinder both sides.

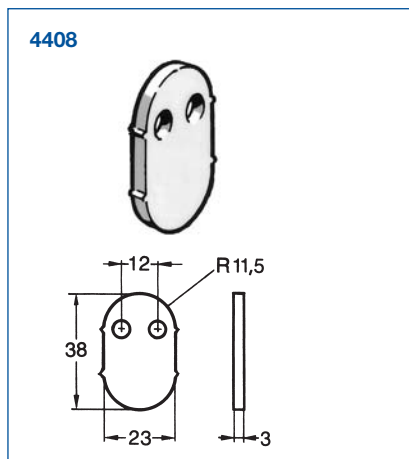
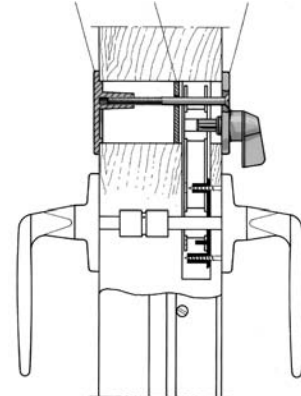
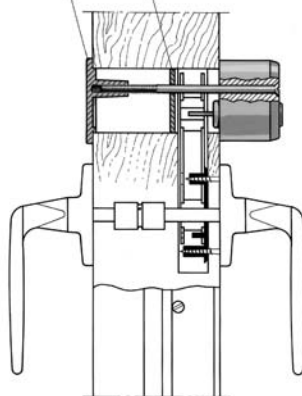


Cover plate outside. Cylinder inside.

Cover plate outside. Turn catch inside.

Cover plate Fix 4087 Protection plate Fix 4408

Cover plate Fix 4087 Protection plate Fix 4408 Turn catch Fix 4428



Lockable espagnolette, mounting example, accessories

4058
4059
4412

The mounting examples assume that the door has penetrating holes for oval cylinder. When mounting the inside of the cylinder, the inner handle must have a break-secure device in the handle pin.

Coupling plate 4058

Transmits the outside cylinder locking operation to the espagnolette. Also works as a counter plate for the outside cylinder screws.

Material

Brass follower. Plate of galvanized steel.

Spindle length: 15, 35, 55 mm.

Nut plate 4412

Screw receiver and support for the locking handle.

Material

Zamak.

Fixing plate 4059

Support for the inside cylinder.

Material

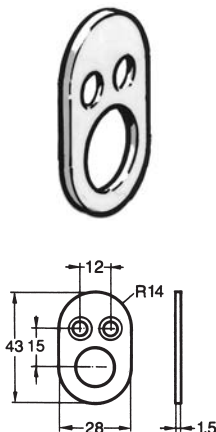
Galvanized steel.

Installation

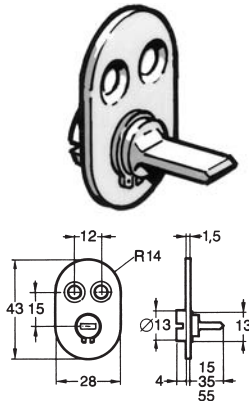
Mounting in recess in inner sash half.

See also the Vinga handle series, page G 126, G 129-G131

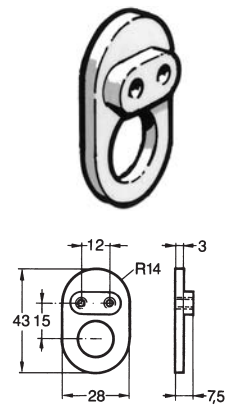
4059



4058



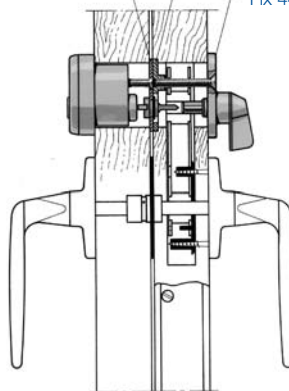
4412



Mounting example

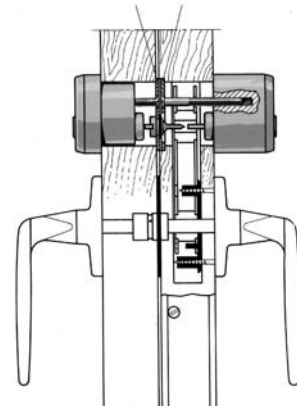
Cylinder outside. Turn catch inside.

Coupling plate Fix 4058
Nut washer Fix 4412
Turn catch Fix 4428



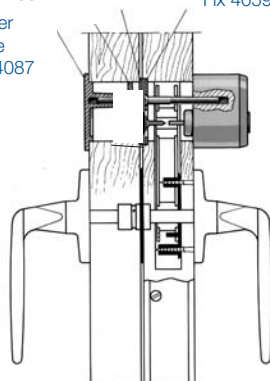
Cylinder both sides.

Coupling plate Fix 4058
Fixing plate Fix 4059



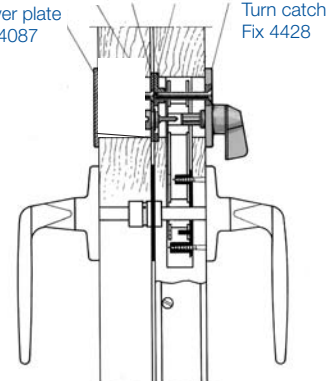
Cover plate outside. Cylinder inside.

Protection plate Fix 4408
Coupling plate Fix 4058
Fixing plate Fix 4059
Cover plate Fix 4087



Cover plate outside. Turn catch inside.

Protection plate Fix 4408
Coupling plate Fix 4058
Nut washer Fix 4412
Cover plate Fix 4087
Turn catch Fix 4428



1215
1220
1220MB
146

Flush bolt for windows and doors

PATENT

Security flush bolt 1215

Approved by the Swedish Theft Prevention Association in classification 2 according to SS3540.

Used for inward- and outward-opening two-light windows without mullion.

Design

Housing of zamak. Bolt of galvanized steel with bolt stroke 15 mm. Stainless steel spring.

Operation

Keeps the passive sash closed when the other sash is opened. When opening the passive sash, the other sash must be opened enough to access the folding manoeuvre arm. When closing, the manoeuvre arm brings the bolt into a locking position, and the arm is then folded back into a locked position.

Security flush bolt 1220

Approved by the Swedish Theft Prevention Association in classification 3 according to SS3540. Also available with micro.

Used for inward- and outward-opening double doors.

Design and operation

Like Fix 1215, but with a bolt that has a 20 mm bolt stroke.

Accessories

Receiver, FAS 2301.

Screw

Use screw no. 5 (3.0 mm) TFX / DIN 7997.

Flush bolt Fix 146

Used for inward- and outward-opening two-light windows without mullion.

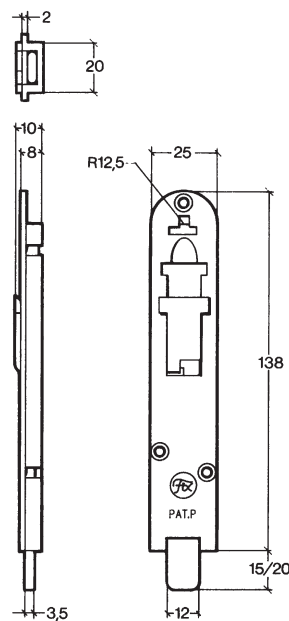
Design

Housing and locking bolt of white acetal plastic.

Operation

Keeps the passive sash closed when the other sash is opened.

1215, 1220

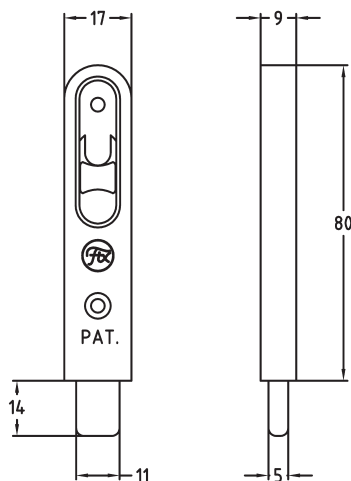


1215, 1220



Security flush bolt with micro switch.
Fix 1220MB

146



146



Flush bolt for windows and doors

8312
9312
1440

Used for inward- and outward-opening two-light windows without mullion and double doors.

Design

Housing of zamak. Surface treatment chrome plated, satin chrome or brass plating.

Fix 8312 has a bolt of galvanized steel with bolt stroke 0-17 mm. Fix 9312 has a bolt of galvanized steel 8 mm outside the post, and with bolt stroke 8-25 mm.

Operation

Keeps the passive sash closed when the other sash is opened. When opening the passive sash, the other sash must be opened enough to access the folding manoeuvre arm. When closing, the manoeuvre arm brings the bolt into a locking position, and the arm is then folded back into a locked position.

Accessories

Receiver (acetal plastic) and screw included.

Hinge-side safety pin 1440

Used for increasing the protection against forced entry on the hinge side of an existing door when pin-holding hinges, rear edge fittings or other devices cannot be used.

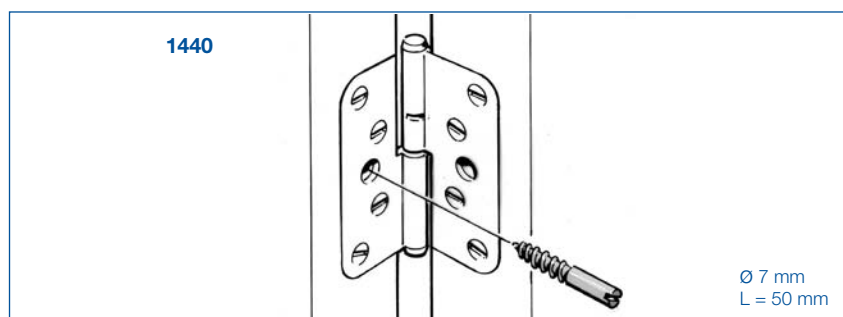
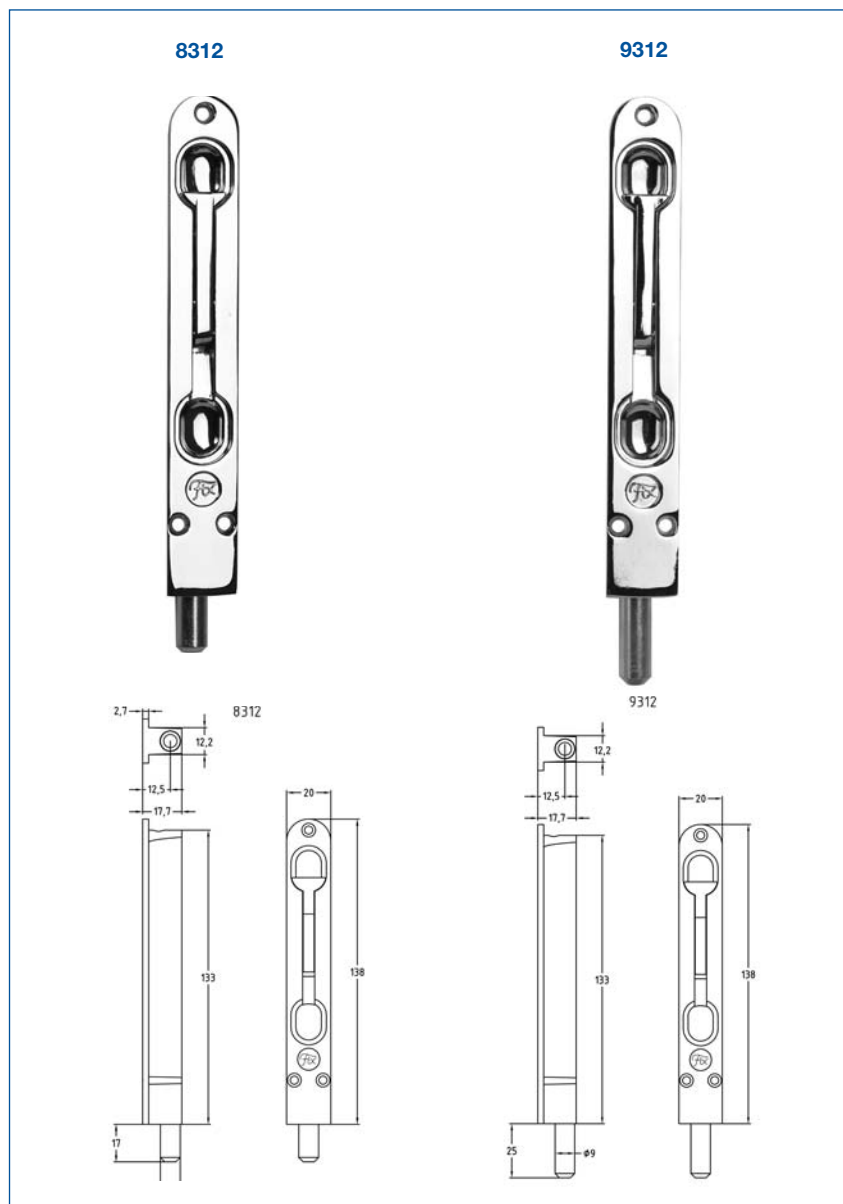
Operation and features

To be screwed into the outside frame or the sash through a drilled hole in one half of the hinge.

When the door is closed, the pin goes into a drilled hole in the other half of the hinge. This makes it more difficult to lift the door off or break it open on the hinge side.

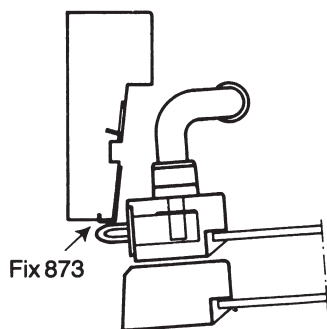
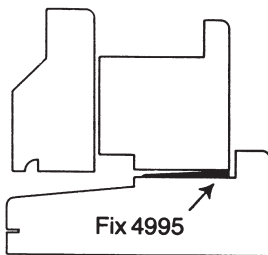
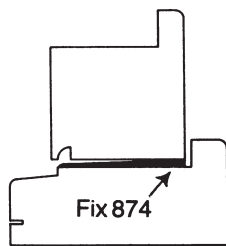
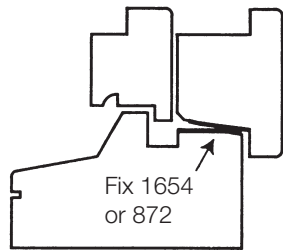
Material

Galvanized steel.

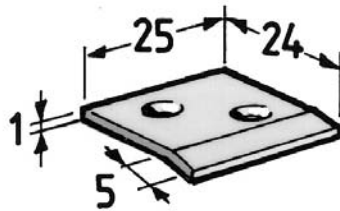


Sliding plate and protective plate

Mounting example



1654



Sliding plate 1654

Fix 1654 for inward-opening windows.

Operation and features

Stops the sash from catching the bottom part of the outside frame.

Material

Stainless steel.

Sliding plates 874 and 4995

For inward- and outward-opening window.

Operation and features

Stops the sash from catching the bottom part of the outside frame.

Material

Acetal plastic, white.

Protective plate 873

For outward-opening windows and glazed doors.

Operation and features

Protects the outside frame from being damaged by protruding side bolt.

Material

Stainless steel.

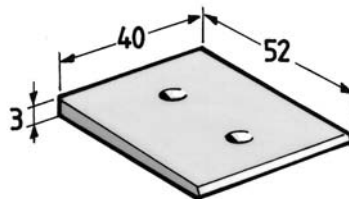
Mounting (applies to all)

Surface mounting.

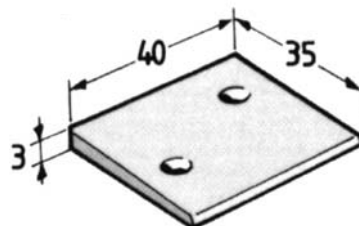
Screw (applies to all)

Use no. 5 (3.0 mm) TFX / DIN 7997.

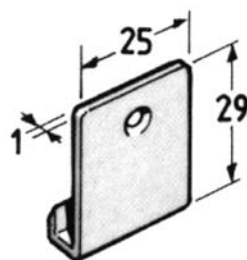
874



4995



873



Handle fixtures for espagnolettes, sash couplers

Handle fixture 806 and 842

For Fix handles on windows and doors without safe catch for screws. Fix 842 is used together with lockable Fix espagnolettes. Fix 806 is used together with other Fix espagnolettes.

Operation and features

Handle screws thread their own grips in the handle fixture, which gives sufficient support without straining the lock housing.

Material

Acetal plastic.

Installation

The handle fixture is factory-mounted together with the espagnolette. The studs are pushed into the slots on the side of the lock housing, which is turned against the inside handle.

Sash coupler 80

For windows and glazed doors with coupled sashes.

Operation and features

Fits both right and left. The carrier pin gives enough space between the outside and inside sashes. Construction
a) Coupling housing with locking arm
b) Carrier pin

Material

Zamak.
Locking arm of galvanized steel.

Installation

Coupling housing to be recessed. The carrier pin is surface-mounted. When the coupling housing has been screwed into place, the sashes are put together. The coupling housing studs then mark the correct position for mounting the carrier pin.
Note: for outside aluminium sashes, the carrier pin comes without studs.

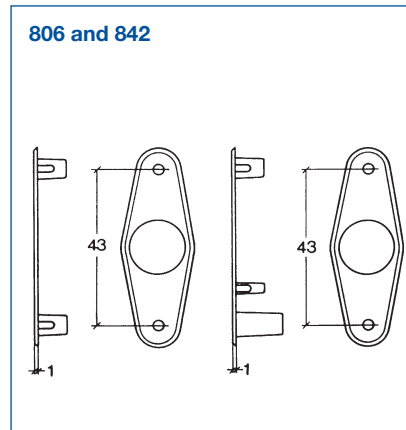
Screw

Use no. 5 (3.0 mm) TFX / DIN 7997.

806 and 842



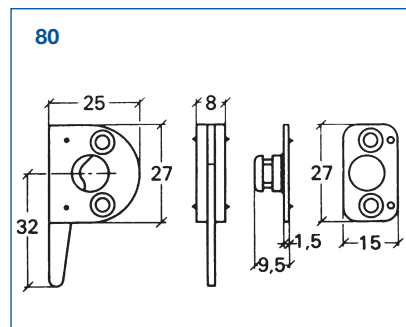
806 and 842



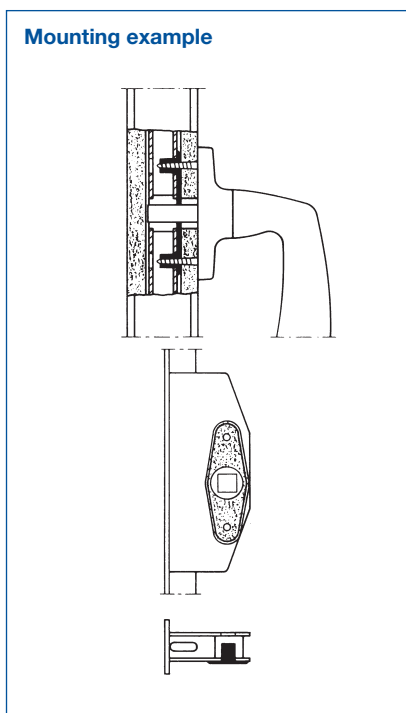
80



80



Mounting example



Milling instructions

