

# Electromagnetic Locks



# Contents

## **Magnalock**

Securitron Magnalock M32 – Electromagnetic Door Lock with Holding Force of 273 kg .....	4.1
Securitron Magnalock M34R – Electromagnetic Door Lock with Holding Force of 273 kg.....	4.1
Securitron Magnalock M62 – Electromagnetic Door Lock with Holding Force of 545 kg.....	4.2
Securitron Magnalock M82 – Electromagnetic Door Lock with Holding Force of 818 kg.....	4.2

## **Shear Magnalock**

SAM/SAM2 – Shear Aligning Electromagnetic Door Lock with Holding Force of 560 kg/273 kg .....	4.3
--	-----

<b>Accessories for Electromagnetic Locks.....</b>	<b>4.3</b>
---	------------

# Securitron Magnalock M32 – Electromagnetic Door Lock with Holding Force of 273 kg

## TECHNICAL DETAILS

**Operating temperature range:**

-40°C - +60°C

**Holding force:**

273 kg

**Dimensions (L x W x D):**

magnet: 203 x 44.5 x 38 mm

strike:

165 x 41.5 x 12 mm

**Power consumption:**

300 mA/12 V DC, 150 mA/24 V DC

**Operating voltage:**

12 V DC - 24 V DC (+/-10%)

**Monitoring outputs:**

output closing contact  
(door closed – contact closed)

**Delivery includes:**

magnet, screws, blind nuts, metal strike, mounting template



Securitron Magnalock M32 – Electromagnetic door lock with holding force of 273 kg

## Application

- Intended for door holding.
- Surface mounting (horizontal or vertical).
- Maintenance-free operation.
- Lifetime performance warranty.
- Suitable for high-traffic doors (more than 200 passings per day).
- Magnet can be controlled by means of a proximity card reader output, keypad, button etc.
- In connection with panic bars, the lock can be used e.g. in emergency exit doors as an emergency exit control solution.

## Lock Functions

- When the magnet power is disconnected, the door is released and can be opened.
- SC version lock has a built-in monitoring (door open/closed) by means of a switching contact.

## Versions

Order code	Description
M32	12 V – 24 V DC
M32F	12 V – 24 V DC face mounting
M32SC	12 V – 24 V DC with monitoring
M32SCF	12 V – 24 V DC face mounting with monitoring

## Accessories

Order code	Description	Dimensions
CWB-32 CL (BK)	Mounting bracket for mounting on aluminium or concrete without concealed cable	A=203 mm, B=38 mm, C=182mm, D=3 holes
Z-32 CL (BK, SS)	Z-bracket for M32 with cover: silver anodized (black anodized, polished stainless steel)	A=220 mm, B=60 mm, C=55 mm
HEB-3 CL (BK)	Header extension bracket	A=203 mm, B=75 mm, C=75 mm

# Securitron Magnalock M34R – Electromagnetic Door Lock with Holding Force of 273 kg

## TECHNICAL DETAILS

**Operating temperature range:**  
-40°C - +60°C

**Holding force:**  
273 kg

**Dimensions (L x W x D):**  
magnet: 241 x 38 x 28.5 mm  
strike: 162 x 36.5 x 11 mm

**Power consumption:**  
350 mA/12 V DC,  
175 mA/24 V DC

**Operating voltage:**  
12 V DC - 24 V DC (+/-10%)

**Monitoring outputs:**  
output closing contact  
(door closed – contact closed)

**Delivery includes:**  
magnet, screws, blind nuts,  
metal strike, mounting  
template



Securitron Magnalock M34R – Electromagnetic door lock with holding force of 273 kg, recessed mounting

## Application

- Intended for door holding.
- Recessed mounting (horizontal or vertical).
- Maintenance-free operation.
- Lifetime performance warranty.
- Suitable for high-traffic doors (more than 200 passings per day).
- Magnet can be controlled by means of a proximity card reader output, keypad, button etc.
- In connection with panic bars, the lock can be used e.g. in emergency exit doors as an emergency exit control solution.

## Lock Functions

- When the magnet power is disconnected, the door is released and can be opened.
- SC version lock has a built-in monitoring (door open/closed) by means of a switching contact.

## Versions

Order Code	Description
M34R	12 – 24 V DC recessed mounting
M34SCR	12 – 24 V DC recessed mounting with monitoring

# Securitron Magnalock M62 – Electromagnetic Door Lock with Holding Force of 545 kg

## TECHNICAL DETAILS

### Operating temperature range:

-40°C – +60°C

### Holding force:

545 kg

### Dimensions (L x W x D):

magnet: 203 x 76 x 44.5 mm

strike: 152 x 70 x 12 mm

### Power consumption:

250 mA/12 V DC, 125 mA/24 V DC

V DC

### Operating voltage:

12 V DC - 24 V DC (+/-10%)

### Monitoring outputs:

output closing contact  
(door closed – contact closed)

### Delivery includes:

magnet, screws, blind nuts,  
metal strike, mounting  
template



Securitron Magnalock M62 – Electromagnetic door lock with holding force of 545 kg

## Application

- Intended for door holding.
- Surface mounting (horizontal or vertical).
- Maintenance-free operation.
- Lifetime performance warranty.
- Suitable for high-traffic doors (more than 200 passings per day).
- Magnet can be controlled by means of a proximity card reader output, keypad, button etc.
- In connection with panic bars, the lock can be used e.g. in emergency exit doors as an emergency exit control solution.

## Lock Functions

- When the magnet power is disconnected, the door is released and can be opened.
- SC version lock has a built-in monitoring (door open/closed) by means of a switching contact.

## Versions

Order code	Description
M62	12 – 24 V DC
M62F	12 – 24 V DC face mounting
M62-SS	12 – 24 V DC with split strike
M62SC	12 – 24 V DC with monitoring
M62SC-SS	12 – 24 V DC with monitoring and split strike
M62SCF	12 – 24 V DC face mounting with monitoring

## Accessories

Order code	Description	Dimensions
CWB-62 CL (BK)	Mounting bracket for mounting on aluminium or concrete without concealed cable	A=203 mm, B=44,5 mm, C=182 mm, D=20 mm
Z-62 CL (BK, SS)	Z-bracket for M62 with cover: silver anodized (black anodized, polished stainless steel)	A=220 mm, B=75 mm, C=62 mm
HEB-3 CL (BK)	Header extension bracket	A=203 mm, B=75 mm, C=75 mm

# Securitron Magnalock M82 – Electromagnetic Door Lock with Holding Force of 818 kg

## TECHNICAL DETAILS

### Operating temperature range:

-40°C – +60°C

### Holding force:

818 kg

### Dimensions (L x W x D):

magnet: 305 x 76 x 44.5 mm

strike: 254 x 70 x 12 mm

### Power consumption:

350 mA/12V DC,

175 mA/24 V DC

### Operating voltage:

12 V DC – 24 V DC (+/-10%)

### Monitoring outputs:

output closing contact  
(door closed – contact closed)

### Delivery includes:

magnet, screws, blind nuts,  
metal strike, mounting  
template



Securitron Magnalock M82 – Electromagnetic Door Lock with holding force of 818 kg

## Application

- Intended for door holding.
- Surface mounting (horizontal or vertical).
- Open/closed door monitoring (by means of a switching contact).
- Maintenance-free operation.
- Lifetime performance warranty.
- Suitable for high-traffic doors (more than 200 passings per day).

- Magnet can be controlled by means of a proximity card reader output, keypad, button etc.
- In connection with panic bars, the lock can be used e.g. in emergency exit doors as an emergency exit control solution.

## Function

- When the magnet power is disconnected, the door is released and can be opened.

## Versions

Order code	Description
M82SC	12 – 24 V DC with monitoring
M82SCF	12 – 24 V DC face mounting, with monitoring
M82SCG	12 – 24 V DC with monitoring and conduit
M82SC-OS	12 – 24 V DC with monitoring and offset strike
M82SC-SS	12 – 24 V DC with monitoring and split strike

## Accessories

Order code	Description	Dimensions
CWB-82 CL (BK)	Mounting bracket for mounting on aluminium or concrete without concealed cable	A=305 mm, B=44,5 mm, C=284 mm, D=20 mm
Z-82 CL (BK, SS)	Z-bracket for M82 with cover: silver anodized (black anodized, polished stainless steel)	A=325 mm, B=75 mm, C=62 mm
HEB 82-3 CL (BK)	Header extension bracket	A=305 mm, B=75 mm, C=75 mm

# SAM/SAM2 – Shear Aligning Electromagnetic Door Lock with Holding Force of 560 kg/273 kg

## TECHNICAL DETAILS

### Securitron SAM

**Operating temperature range:**  
-40°C – +60°C

**Holding force:**  
560 kg

**Dimensions (L x W x D):**  
magnet: 241.3 x 38.1 x 28.6 mm  
strike: 222.3 x 36.5 x 12.7 mm

**Power consumption:**  
350 mA/12 V DC, 175 mA/24 V DC

**Operating voltage:**  
12 V DC - 24 V DC (+/-10%)

**Monitoring outputs:**  
output switching contact  
(door closed/open)

**Delivery includes:**  
magnet, screws, blind nuts,  
metal strike, mounting  
template

### Securitron SAM2

**Operating temperature range:**  
-40°C - +60°C

**Holding force:**  
273 kg

**Dimensions (L x W x D):**  
magnet: 183 x 29 x 24 mm  
strike: 183 x 29 x 29 mm

**Power consumption:**  
62 mA/24 V DC

**Operating voltage:**  
24 V DC (+/-10%)

**Delivery includes:**  
magnet, screws, blind nuts,  
metal strike, mounting  
template



Securitron SAM  
– Electromagnetic door lock with  
holding force of 560 kg – force is transmitted  
in-plane with magnet seating surface

Securitron SAM2  
– Electromagnetic door lock with holding force  
of 273 kg – force is transmitted in-plane with  
magnet seating surface

## Application

- Intended for holding of swing-through and sliding doors.
- Concealed mounting (horizontal or vertical).
- Maintenance-free operation.
- Lifetime performance warranty.
- Suitable for high-traffic doors (more than 200 passings per day).
- Magnet can be controlled by means of a proximity card reader output, keypad, button etc.
- In connection with panic bars, the lock can be used e.g. in emergency exit doors as an emergency exit control solution.

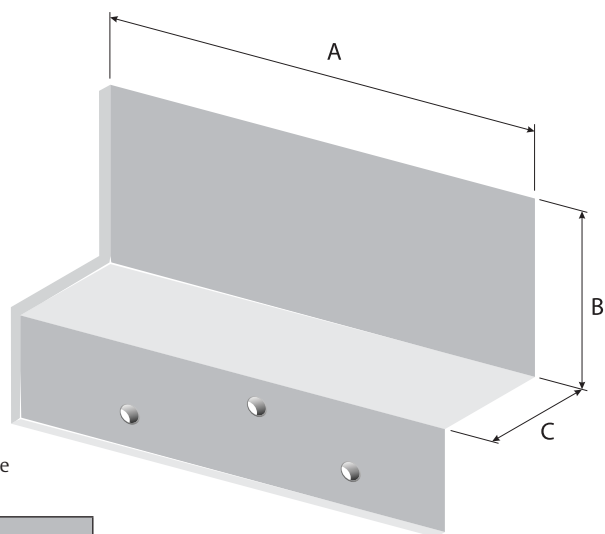
## Lock Functions

- When the magnet power is disconnected, the door is released and can be opened.
- Magnet lock has a built-in monitoring (door open/closed) by means of a switching contact.

## Accessories

Order code	Description
SAM	12 – 24 V DC
SAM SC	12 – 24 V DC with monitoring
SAM 2-24	24 V DC

# Accessories for Electromagnetic Locks

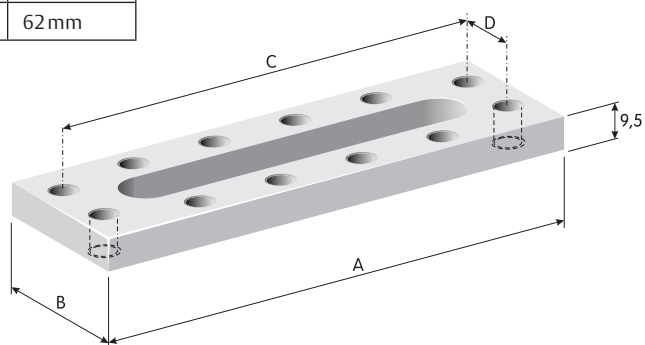


## Z-bracket

**Finish:** silver (CL), black (BK), stainless steel (SS)

**Delivery includes:** screws, rivet heads, mounting template

Type	A	B	C
Z-32 CL (BK, SS)	220 mm	60 mm	55 mm
Z-62 CL (BK, SS)	220 mm	75 mm	62 mm
Z-82 CL (BK, SS)	325 mm	75 mm	62 mm

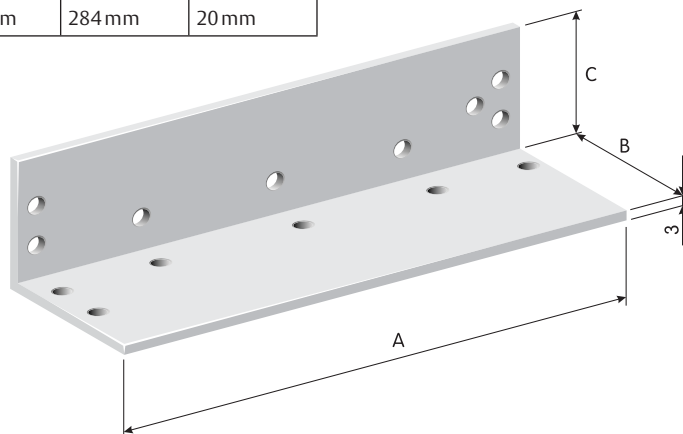


## Bracket for mounting on wood or concrete

**Finish:** silver (CL), black (BK)

**Delivery includes:** screws, rivet heads, mounting template

Type	A	B	C	D
CWB-32 CL (BK)	203 mm	38 mm	182 mm	(3 holes)
CWB-62 CL (BK)	203 mm	44.5 mm	182 mm	20 mm
CWB-82 CL (BK)	305 mm	44.5 mm	284 mm	20 mm



## Header extension bracket

**Finish:** silver (CL), black (BK)

**Delivery includes:** screws, rivet heads, mounting template

Type	A	B	C
HEB-3 CL (BK)	203 mm	75 mm	75 mm
HEB82-3 CL (BK)	305 mm	75 mm	75 mm